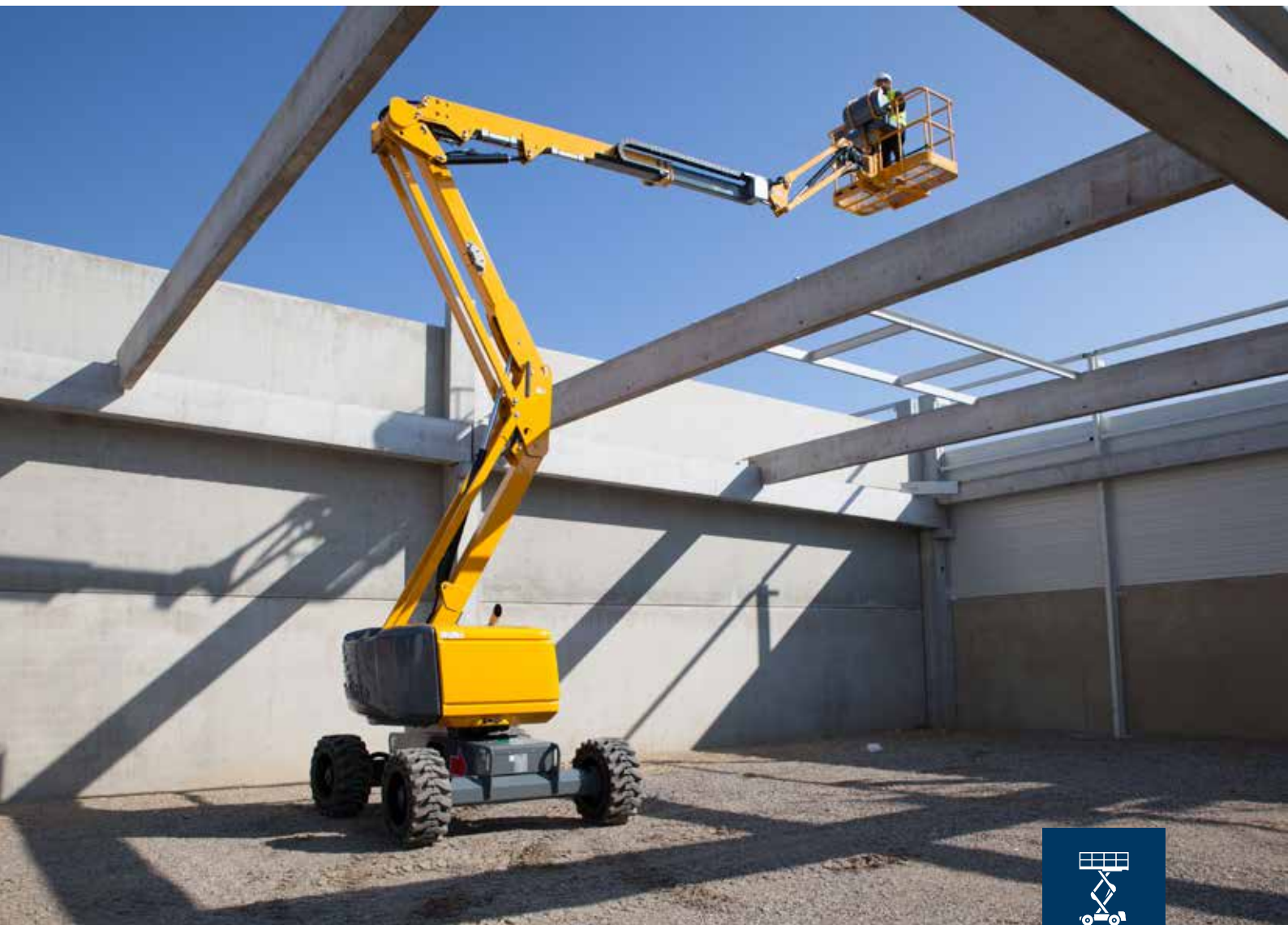
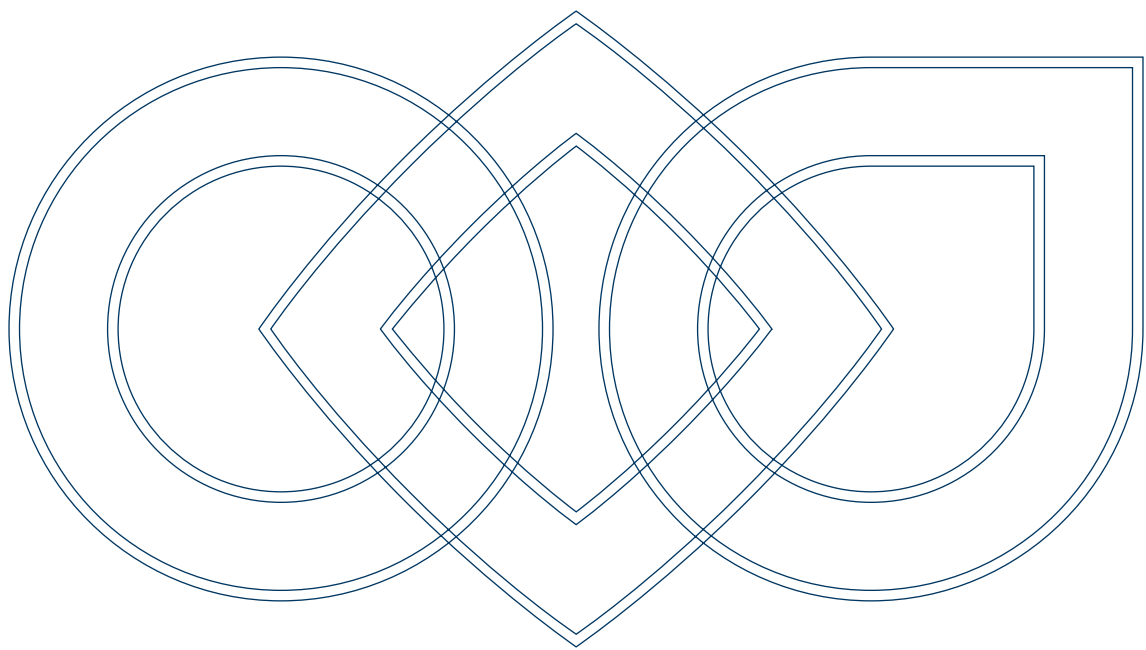


Solutions for
Access Platforms



APPLICATIONS



Solutions for **access platforms**

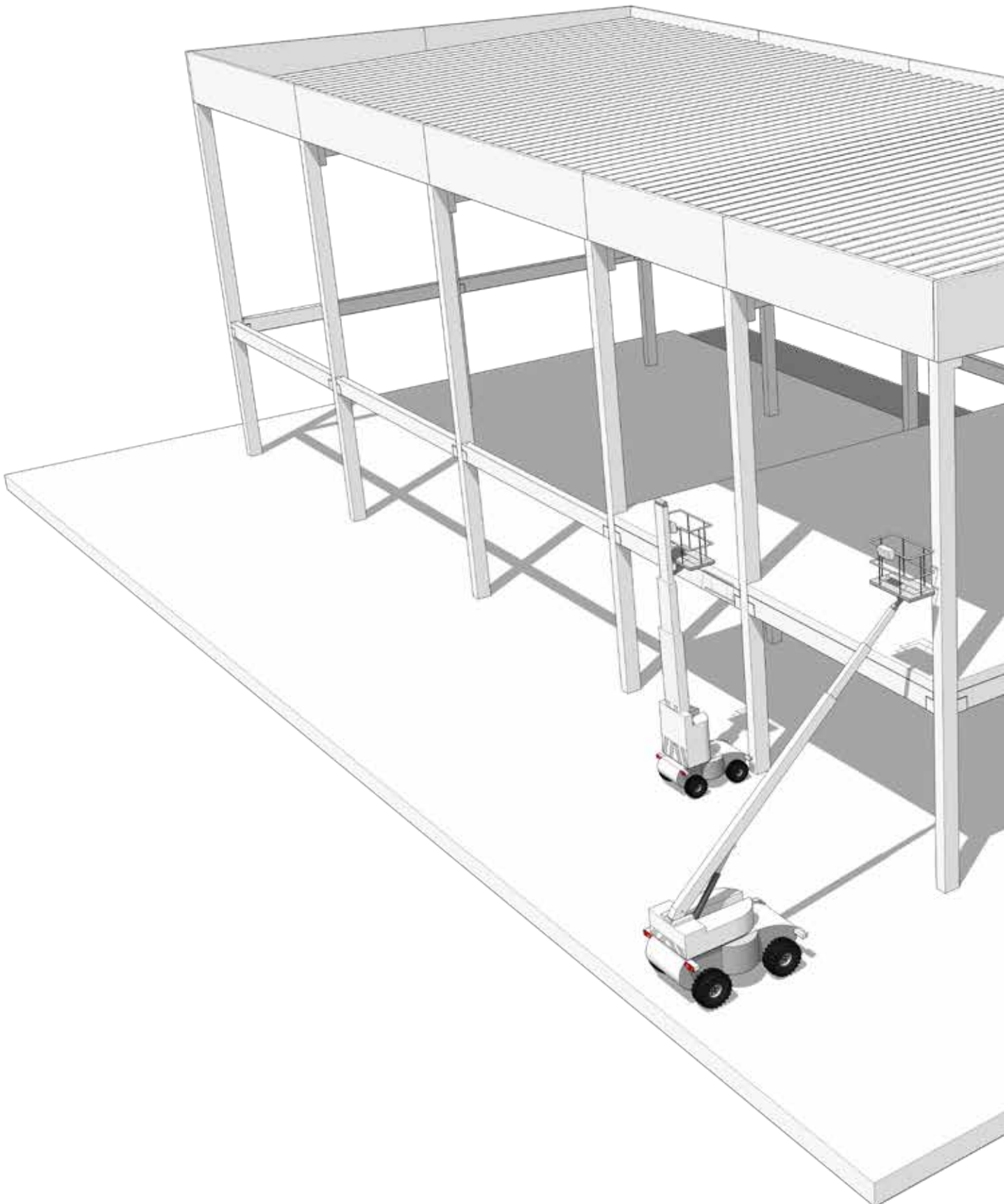
Bonfiglioli's broad range of products dedicated to aerial platforms guarantees maximum efficiency, optimized spaces, flexibility and ease of maintenance. From wheel drives to slew drives, we offer reliable and robust solutions certified by decades of proven field tests to leading manufacturers worldwide.

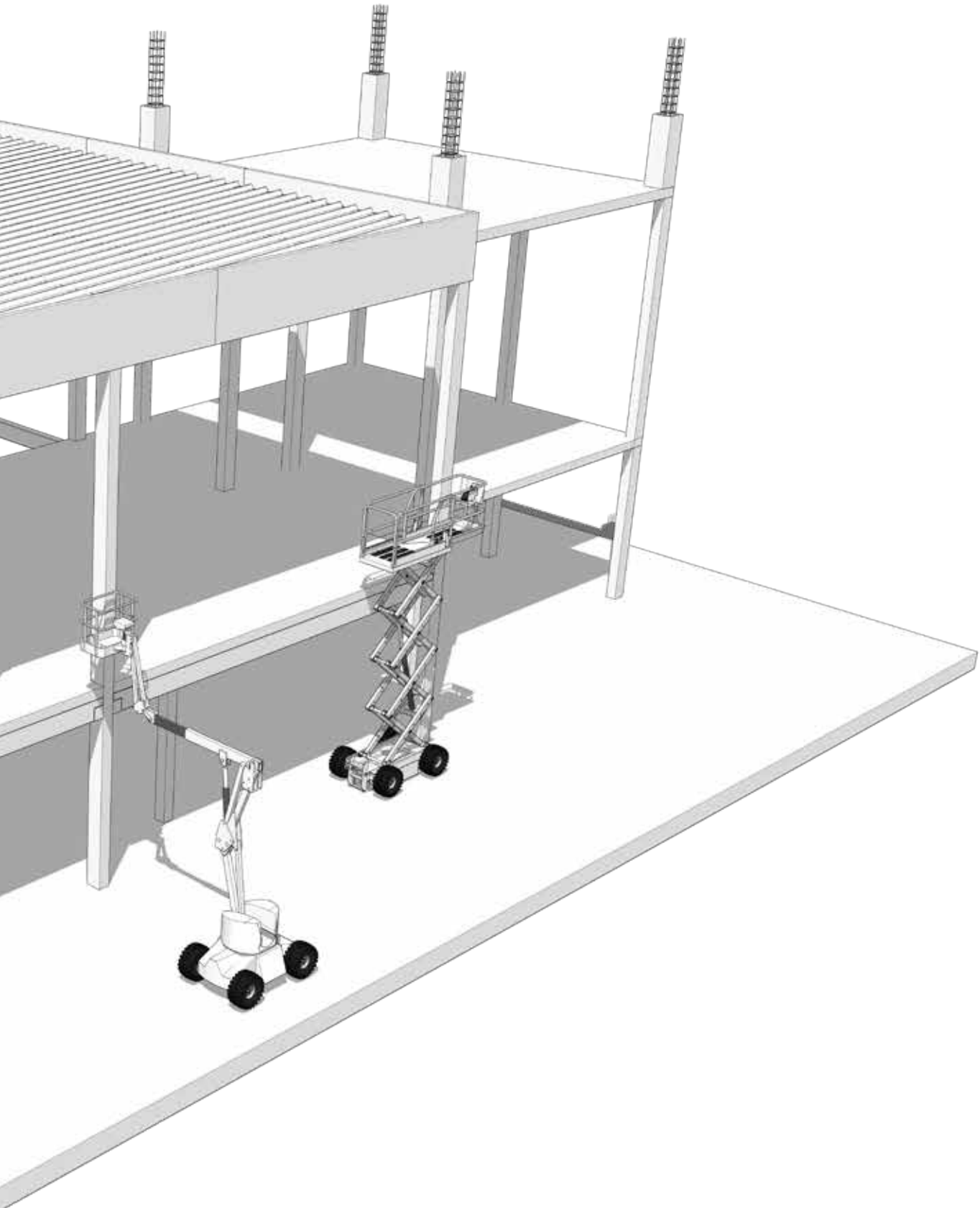
Our experienced team designs hydraulic, hybrid or electric products to fit Bonfiglioli customers' needs. The great quality of the products, as well as the advanced technology we employ, make the company stand out as the ideal partner.



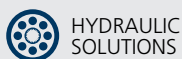
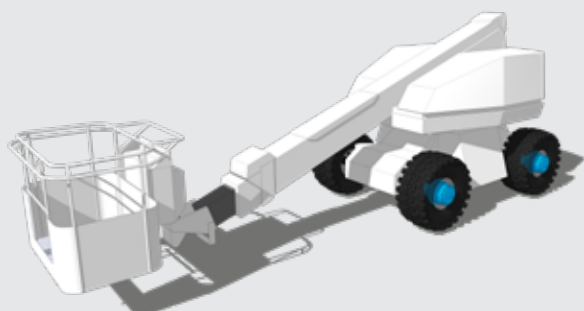
Bonfiglioli access platforms

Drives for access platforms





Wheel drives solutions for access platforms.



600 series Wheel drives

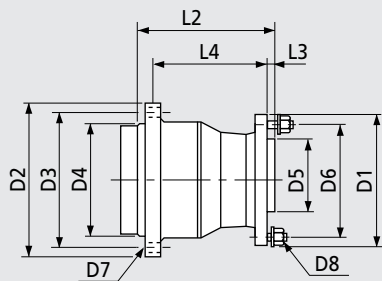
Thanks to its reliable 600 series dedicated to access platforms, Bonfiglioli offers the best wheel drive system options possible to machine manufacturers.

High performance, including high torque capabilities in a compact space specifically regarding limited axial dimensions, is one of our key benefits.

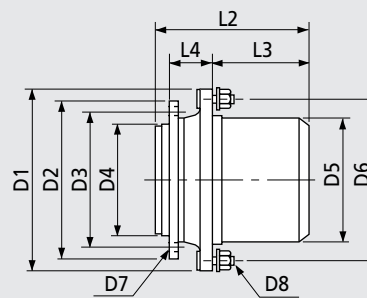


Type	Max torque (Nm)
601R1L	3000
603W2..H	5000
603W2V B	7000
605W2V..	10000
606W..V	18000

TYPE	RATIOS	MAX INPUT SPEED	MAX BRAKE TORQUE AT MOTOR SHAFT (STATIC)	WEIGHT	OIL QUANTITY	ORBITAL HYD. MOTOR	HYDRAULIC PISTON MOT.	MACHINE TON CLASS
	1:	rpm	Nm	kg	L			ton
601R1	4.26 - 5.77	1000	560	35	0.7	•		5
603W2V H	19.5 - 40.5	4000	210	45	0.5	•	•	8
603W2L H	14 - 40.5	4000	210	45	0.6	•	•	8
603W2V B	21.6 - 53	4000	166	45	1.3		•	8
605W2 H	22.2 - 53	3500	310	60	1	•	•	15
605W2 B	22.2 - 53	3500	300	53	1.4	•		15
606W2	19.7 - 43.8	3500	460	110	2	•	•	20
606W3	68 - 128.6	3500	330	128	1.8		•	20



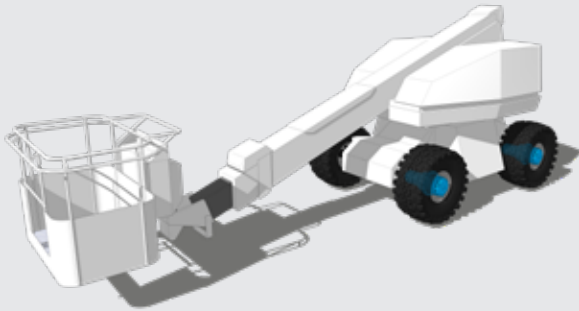
R VERSION



W VERSION

TYPE	L2	L3	L4	D1	D2	D3	D4	D5	D6	D7	D8
601R1L	245	10	195	230	260	230	200 h8	152.4	203.2	Ø15 no.8	M14x1.5 no.8
603W2V H	236	128	72	280	270	230	190 f7	200 h8	241.3	M16x2 no.8	M18x1.5 no. 9
603W2L H	249.5	25	175	237	270	230	190 f7	160	205	M16x2 no.8	M18x1.5 no.6
603W2V B	249	108	106	275	240	210	178 h8	200 h8	241.3	M16x2 no. 9	M16x1.5 no. 9
605W2 H	240	154	72	300	270	230	190 f7	220 h8	260	M16x2 no.8	M16x1.5 no.8
605W2 B	218	136	72	310	260	230	190 f7	220 h8	275	M16x2 no.12	M20x1.5 no.8
606W2	270	155	115	370	330	300	270 h8	280 h8	335	M16x2 no.18	M22x1.5 no.10
606W3	315	200	115	370	330	300	270 h8	280 h8	335	M16x2 no.18	M22x1.5 no.10

Wheel drives solutions for access platforms.



600E Series Wheel drives

Bonfiglioli's 600E series planetary drives incorporate an integrated maintenance-free electric motor and offer significant features, such as compact dimensions, low noise and high efficiency.

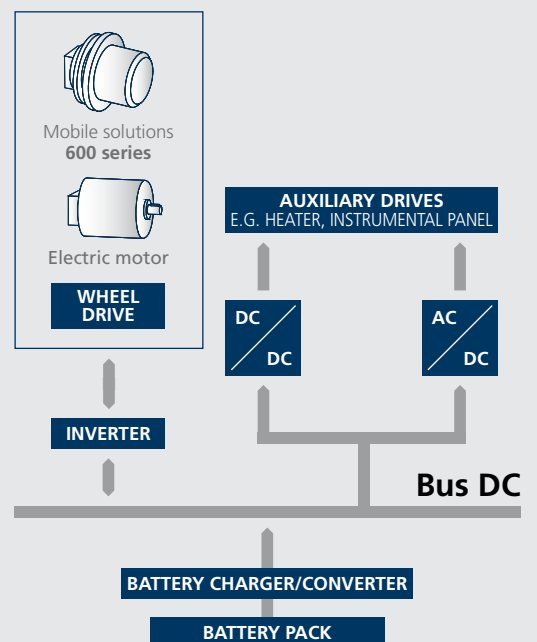
600E series drives design perfectly fits all kinds of aerial platforms, including articulated and telescopic boom types, vertical and scissor lifts, for indoor use in tight spaces or outdoor use even on rough ground.

This advanced powertrain solution uses a two or three-stage gearbox offering reduction ratios of up to 1:145 to satisfy the widest possible range of needs. The gearbox is coupled to a low-voltage induction motor (BT Series) specially developed for traction power and control applications.

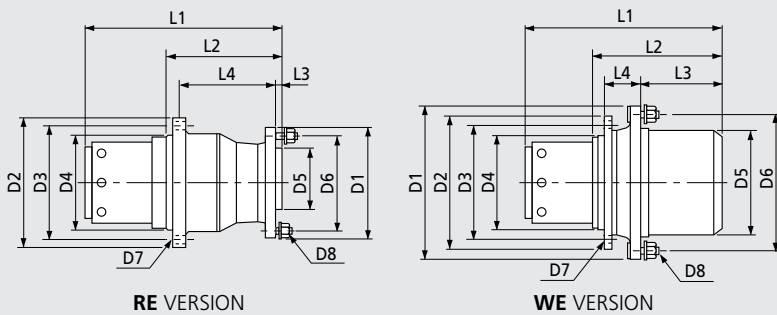


Type	Max deliverable torque (Nm)
600 WE	900
601 RE	3000
602 RE	3500
602 WE	4500
604 WE	7000
605 WE	10000

Functional diagram



TYPE	RATIOS	MAX INPUT SPEED	WEIGHT	OIL QUANTITY	AC ELECTRIC MOTOR - SIZE				PARKING BRAKE		MACHINE TON CLASS
					BT135	BT150	BT170	BT200	Electromagnetic	Hydraulic	
	1:	rpm	kg	L							ton
600 WE	48- 58.7	6000	35	0.5	•	•			•		3
601 RE	20.1 - 51.8	4000	40	0.8		•	•		•	•	6
602 RE	20.3 - 30.6	6000	53	0.7		•	•		•	•	9
602 WE	20 - 145	6000	45	0.5		•	•		•	•	9
604 WE	22.2 -53	5000	65	1.1			•	•	•	•	13
605 WE	22.2 - 53	5000	65	1.1			•	•		•	16



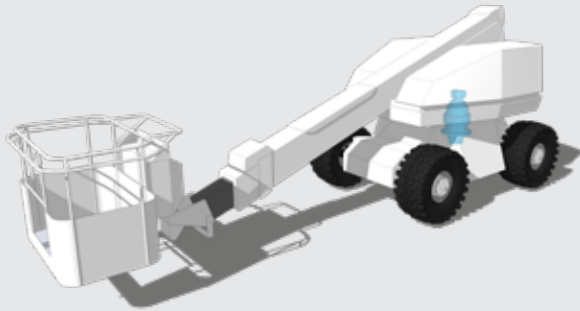
TYPE	BT 135-			BT 150-			BT 170-			BT 200-		
	50	100	150	50	100	150	50	100	150	50	100	150
P _n (S2 60') (kW)	0.9	1.6	2.3	1.5	2.5	3.4	2.4	4.3	5.4	3.1	6.2	9.1
T _n (Nm)	3	5.6	8.5	4.8	9.1	12.5	7.7	14	22	10	20	29.5
V _{batt} (V)	24	24	24	24	24	24	48	48	48	80	80	80
I _n (A)	55	95	128	80	130	175	67	110	143	53	98	137
n (rpm)	2930	2927	2632	2894	2617	2610	2945	2952	2357	2957	2963	2958
cosφ	0.77	0.8	0.81	0.85	0.86	0.87	0.77	0.83	0.8	0.77	0.8	0.84
η (%)	86.9	89.5	90.0	85.5	88.7	89.2	88.3	89.6	91.3	88.8	91.6	92.5

TYPE	L1												L2	L3	L4	D1	D2	D3	D4	D5	D6	D7	D8	
	275	325	375	290	340	390																		
600 WE														134	39	89	240	207.5	190.5	171.45	184.15	216	M8 no.6	M12 no.9
601 RE					453	503	412	462						247	12	200	189	265	245	225	110	160	Ø13 no.8	M14x1.5 no.8
602 RE						524	434	484	534					269	15	193	210	295	265	235	130	170	M16 no.8	M18 no.6
602 WE						455	375	425	475					210.5	104.5	88	260	271	248	220	200	230	Ø15 no.12	M14 no.9
604 WE								464	514	446	496			231	110	106	315	300	275	250	220	275	M16x2 no.12	M20x1.5 no.8
605 WE									524	456	506	556		241	154	72	315	300	275	250	220	275	M16x2 no.12	M20x1.5 no.8

TYPE	MACHINE WEIGHT (TON)																
	0.5	1	2	3	4	5	6	7	8	9	10	11	12	13	14	15	16
600 WE	0.9... 2 kW																
601 RE			1.5... 3 kW														
602 RE				3... 4 kW													
602 WE				2... 4.5 kW													
604 WE									4.5... 6 kW								
605 WE														6... 9 kW			

Vertical booms																	
Height (m)	5	6.5	8	10													
Scissors lift																	
Height (m)	6.5	7.5	10	11.5	12.5	14	15	18									
Telescopic / Articulated booms																	
Height (m)						11	12	14	15	16	17.5	19	20	21	25	26	27

Swing solutions for access platforms.



700T Series

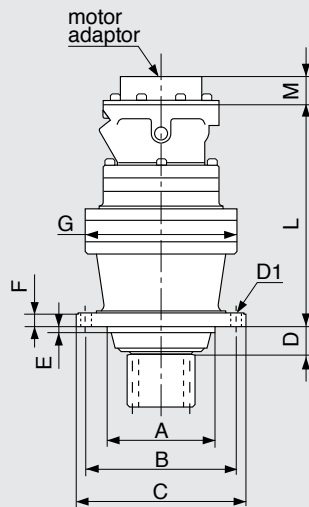
Slew drives

The 700T series slew drives provide the safest and most effective solution to all hydraulic access platforms. 700T units have long been established in the cranes, excavators and special equipment industries, and today are highly appreciated by all the major manufacturers.



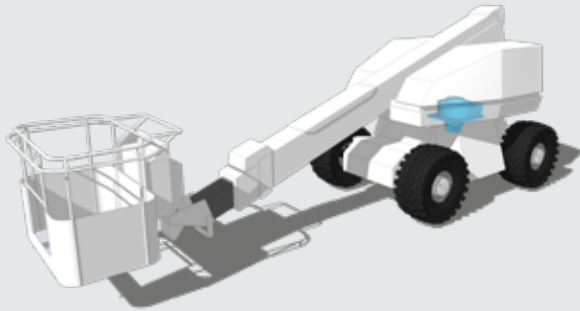
Type	Torque (Nm)
700 T F	1200
701 T F	2400
703 T F	3500
705 T F	6500

TYPE	RATIOS	MAX INPUT SPEED	MAX BRAKE TORQUE AT MOTOR SHAFT (STATIC)	WEIGHT	OIL QUANTITY	ORBITAL HYD. MOTOR	HYDRAULIC PISTON MOTOR	MACHINE TON CLASS
	1:	rpm	Nm	kg	L			ton
700 T F	3.48 - 7.2	500	400	22	1	•		8
701 T F	3.48 - 7.2	500	400	27	1	•		12
703 T F	3.6 - 44	3000	400	45	1.5	•	•	15
705 T F	12 - 44	3000	400	55	2	•	•	20



TYPE	A	B	C	D	E	F	G	L	D1	M
700 T F	150 f7	195	218	31	7	12	186	230 - 280	ø13 no.10	Based on the motor type
701 T F	150 f7	195	218	31	7	12	186	250 - 300	ø13 no.10	
703 T F	175 f7	245	272	41	9	20	245	300 - 350	ø18 no.10	
705 T F	175 f7	245	272	41	9	20	245	320 - 370	ø18 no.10	

Swing solutions for access platforms.



VF/W series

Slew drives

VF series wormgears are milestones for the global industry.

Years of proven use on the field make this product the ideal choice for access platform manufacturers.

By combining uncompromising quality with state-of-the-art technology and renowned price effectiveness, the VF Series meets our customers' needs.

Mechanical rating

0.51... 3.7 kW

Gear ratios

$i = 30 \dots 64$

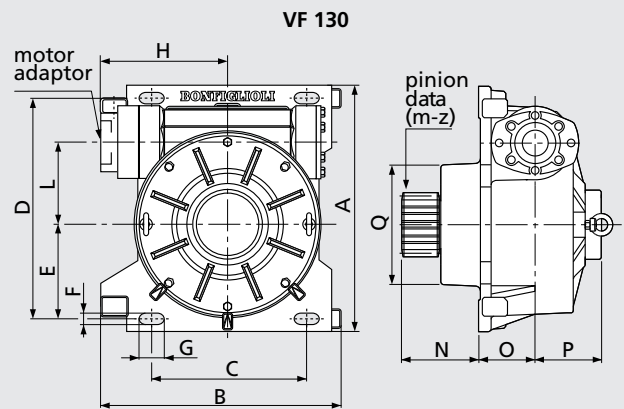
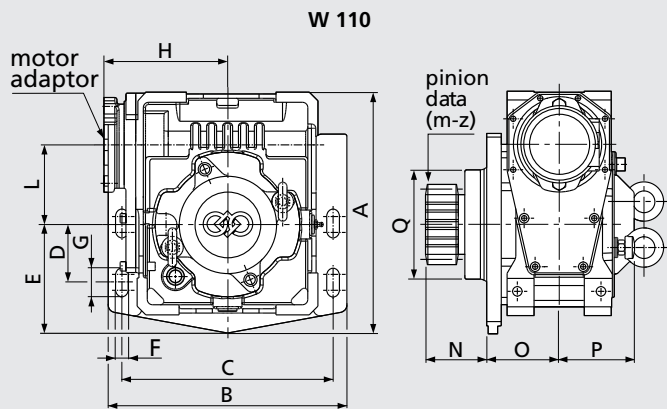
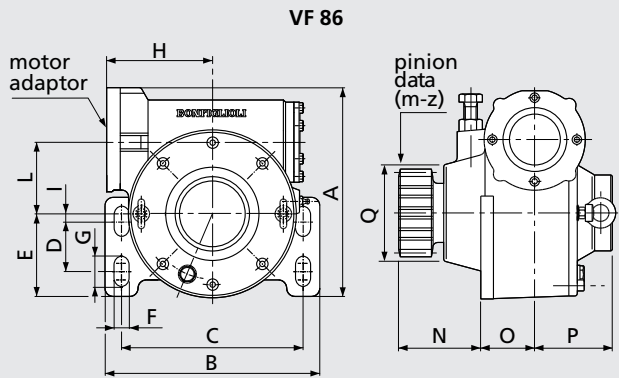
Output configurations

- Integral mounting plate
- Pinion shaft

Input configurations

For Danfoss type OMM-OMP-OMR

Type	Torque (Nm)	
VF 86	360	
W 110		830
VF 130		1500

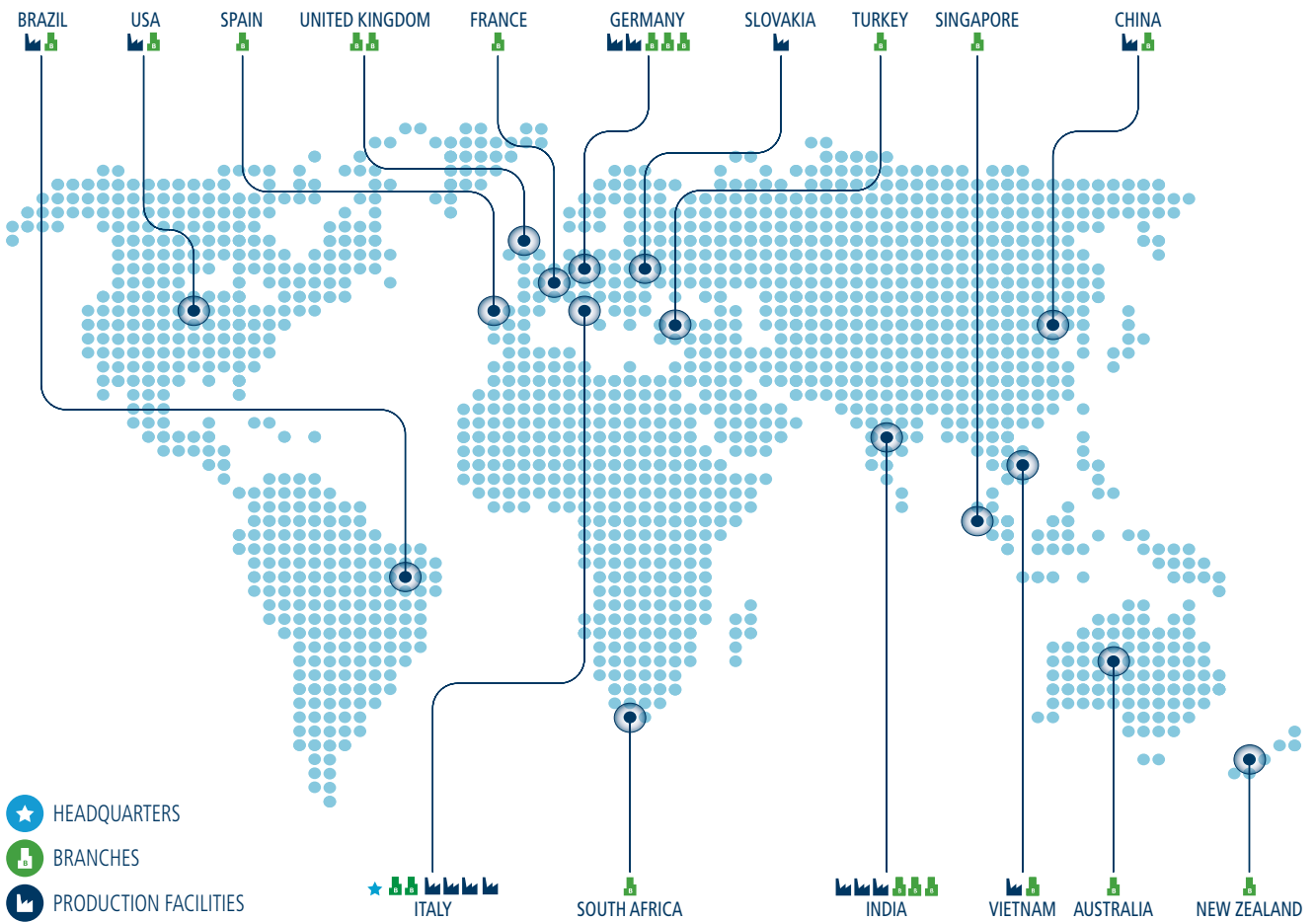


TYPE	A	B	C	D	E	F	G	H	I	L	N	O	P	Q
VF 86	247	300	260	60	100	18	38	60	100	18	97	64	92	110
W 110	333	337	292	80	150	18	40	80	150	18	84	99.5	103	150
VF 130	390	325	245	350	175	18	40	350	175	18	122	90	100	200

Pinion data (m-z): on request

Bonfiglioli worldwide presence

Bonfiglioli is located in regions and countries around the world that enable us to provide faster sales and service to customers.
We are around the world, and around the corner.



LOCAL SUPPORT
 Sales, Customer Service,
 Warranty, Tech support,
 Spare parts



**21 BRANCH OFFICES
 IN 15 COUNTRIES**



**WORLDWIDE
 DISTRIBUTION
 NETWORK**

Bonfiglioli worldwide locations

Australia

www.bonfiglioli.com.au
2, Cox Place Glendenning NSW 2761
Locked Bag 1000 Plumpton NSW 2761
Tel. + 61 2 8811 8000

Brazil

www.bonfigliolidobrasil.com.br
Travessa Cláudio Armando 171
Bloco 3 - CEP 09861-730 - Bairro Assunção
São Bernardo do Campo - São Paulo
Tel. +55 11 4344 2322

China

www.bonfiglioli.cn
Bonfiglioli Drives (Shanghai) Co., Ltd.
#68, Hui-Lian Road, QingPu District,
201707 Shanghai
Tel. +86 21 6700 2000

France

www.bonfiglioli.fr
14 Rue Eugène Pottier
Zone Industrielle de Moimont II - 95670 Marly la Ville
Tel. +33 1 34474510

Germany

www.bonfiglioli.de
Sperberweg 12 - 41468 Neuss
Tel. +49 0 2131 2988 0

Industrial

Europark Fichtenhain B6 - 47807 Krefeld
Tel. +49 0 2151 8396 0

O&K Antriebstechnik

Ruhrallee 8-12 - 45525 Hattingen
Tel. +49 0 2324 2050 1

India

www.bonfiglioli.in
Mobile, Wind
Bonfiglioli Transmissions Pvt. Ltd.
Plot No. AC7-AC11, SIDCO Industrial Estate,
Thirumudivakkam - 600 044 Chennai
Tel. +91 44 2478 1035

Industrial

Survey No. 528, Porambakkam High Road,
Mannur Village, Sriperambudur Taluk - 602 105 Chennai
Tel. +91 44 6710 3800
Plot No. A-95, Phase IV, MIDC Chakan, Village Nighoje
Pune, Maharashtra - 410 501

Italy

www.bonfiglioli.it
Headquarters
Bonfiglioli Riduttori S.p.A.
Via Giovanni XXIII, 7/A
Lippo di Calderara di Reno - 40012 Bologna
Tel. +39 051 647 3111

Mobile, Wind

Via Enrico Mattei, 12 Z.I. Villa Selva - 47100 Forlì
Tel. +39 0543 789111

Industrial

Via Bazzane, 33/A - 40012 Calderara di Reno
Tel. +39 051 6473111
Via Trinità, 1 - 41058 Vignola
Tel. +39 059 768511
Via Sandro Pertini lotto 7b - 20080 Carpiano
Tel. +39 02 985081

Bonfiglioli Mechatronic Research

Via F. Zeni 8 - 38068 Rovereto
Tel. +39 0464 443435/36

New Zealand

www.bonfiglioli.co.nz
88 Hastie Avenue, Mangere Bridge, 2022 Auckland
PO Box 11795, Ellerslie
Tel. +64 09 634 6441

Singapore

www.bonfiglioli.com
24 Pioneer Crescent #02-08
West Park Bizcentral - Singapore, 628557
Tel. +65 6268 9869

Slovakia

www.bonfiglioli.com
Robotnícka 2129
Považská Bystrica, 01701 Slovakia
Tel. +421 42 430 75 64

South Africa

www.bonfiglioli.co.za
55 Galaxy Avenue, Linbro Business Park - Sandton
Tel. +27 11 608 2030

Spain

www.tecnotrans.bonfiglioli.com
Tecnotrans Bonfiglioli S.A.
Pol. Ind. Zona Franca, Sector C, Calle F, nº 6
08040 Barcelona
Tel. +34 93 447 84 00

Turkey

www.bonfiglioli.com.tr
Atatürk Organize Sanayi Bölgesi, 10007 Sk. No. 30
Atatürk Organize Sanayi Bölgesi, 35620 Çiğli - İzmir
Tel. +90 0 232 328 22 77

United Kingdom

www.bonfiglioli.co.uk

Industrial

Unit 7, Colemeadow Road
North Moons Moat - Redditch, Worcestershire B98 9PB
Tel. +44 1527 65022

Mobile, Wind

3 - 7 Grosvenor Grange, Woolston
Warrington - Cheshire WA1 4SF
Tel. +44 1925 852667

USA

www.bonfiglioliusa.com
3541 Hargrave Drive
Hebron, Kentucky 41048
Tel. +1 859 334 3333

Vietnam

www.bonfiglioli.vn
Lot C-9D-CN My Phuoc Industrial Park 3
Ben Cat - Binh Duong Province
Tel. +84 650 3577411



We have a relentless commitment to excellence, innovation and sustainability. Our team creates, distributes and services world-class power transmission and drive solutions to keep the world in motion.

**HEADQUARTERS**

Bonfiglioli Riduttori S.p.A.
Via Giovanni XXIII, 7/A
40012 Lippo di Calderara di Reno
Bologna (Italy)
tel: +39 051 647 3111
fax: +39 051 647 3126
bonfiglioli@bonfiglioli.com
www.bonfiglioli.com