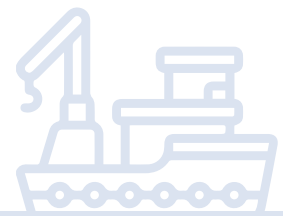


*Solutions for*  
**MARINE &  
OFFSHORE**

 **Bonfiglioli**





# Solutions for

## CONTENTS

<b>MARINE &amp; OFFSHORE</b> .....	<b>5</b>
<b>APPLICATIONS OVERVIEW</b> .....	<b>6</b>
<b>PRODUCTS OVERVIEW</b> .....	<b>8</b>
<b>WINCH DRIVES</b> .....	<b>10</b>
FW & FWX Series .....	11
700C Series .....	11
800 Series .....	11
<b>SLEW DRIVES</b> .....	<b>12</b>
700T Series .....	13
S Series .....	13
<b>STEERING DRIVES</b> .....	<b>14</b>
700T Series .....	15
300 Series .....	15
<b>JACK-UP DRIVES</b> .....	<b>16</b>
700T & JD Series .....	17
<b>TRACK TENSIONER DRIVES</b> .....	<b>18</b>
700C Series .....	19
FW Series .....	19
<b>MULTIPURPOSE PLANETARY DRIVES</b> .....	<b>20</b>
300 Series .....	21
<b>HELICAL DRIVES</b> .....	<b>22</b>
HDP/HDO Series .....	23
<b>OUR PROJECTION INTO THE FUTURE</b> .....	<b>24</b>
<b>OUR CONSTANT AMBITION</b> .....	<b>25</b>
<b>OUR GLOBAL PRESENCE</b> .....	<b>26</b>



# Engineering Solutions



[WWW.BONFIGLIOLI.COM](http://WWW.BONFIGLIOLI.COM)

# MARINE & OFFSHORE

---

## A COMPLETE RANGE OF DRIVES FOR MARINE AND OFFSHORE APPLICATIONS

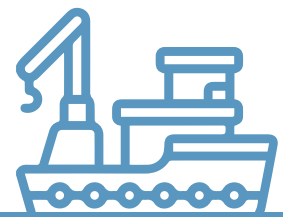
Bonfiglioli offers a wide range of solutions for lifting, pulling and slewing machinery, including shipyard cranes, offshore cranes and platforms, deck machinery, azimuth thrusters and pipelayers.

Thanks to our technical experience and ability to develop flexible and tailor-made solutions, Bonfiglioli is the ideal partner for all marine and offshore applications.

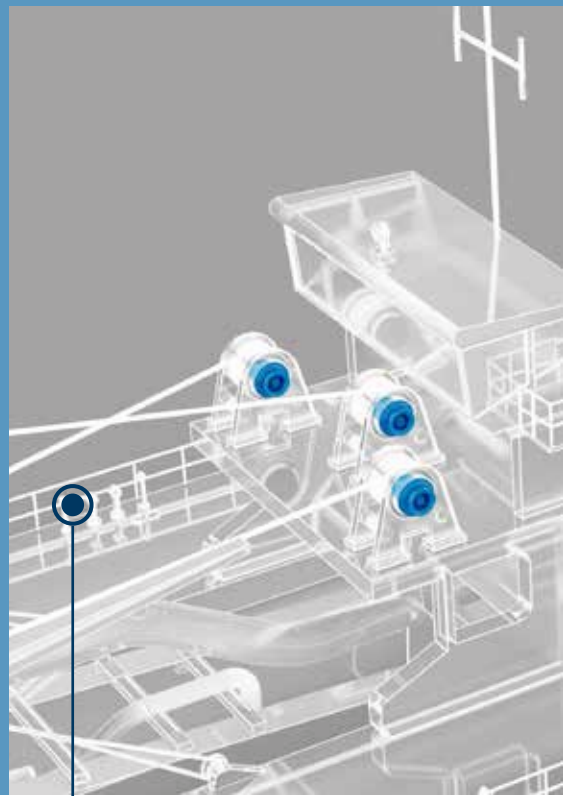
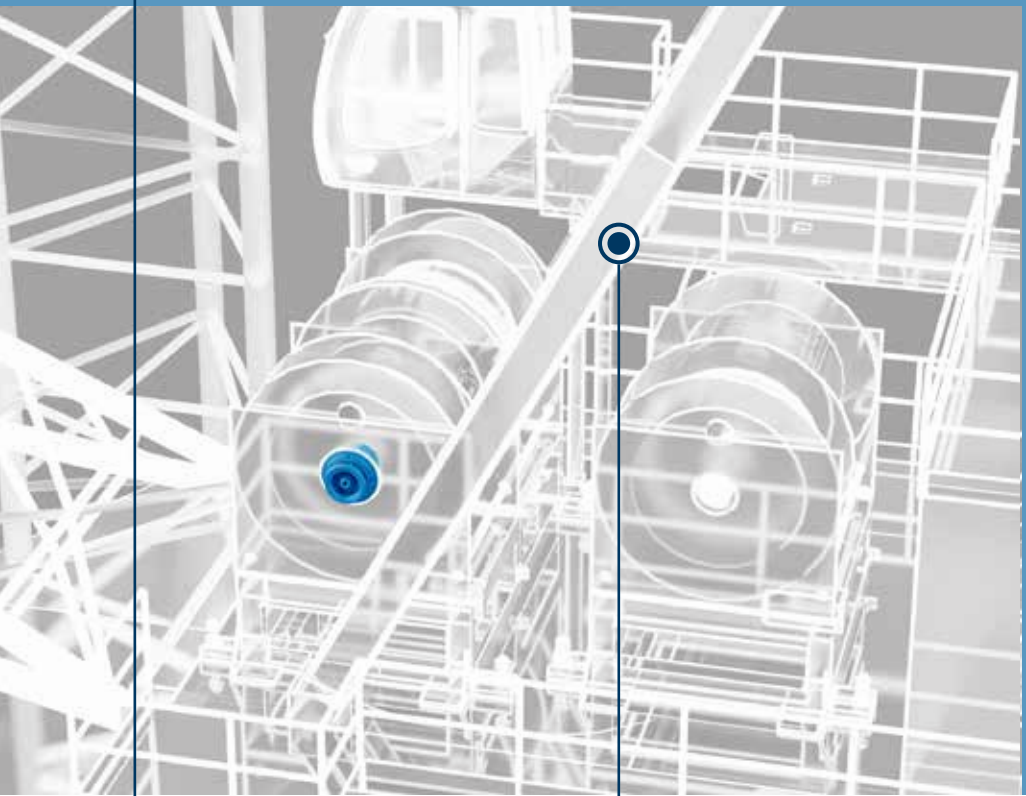
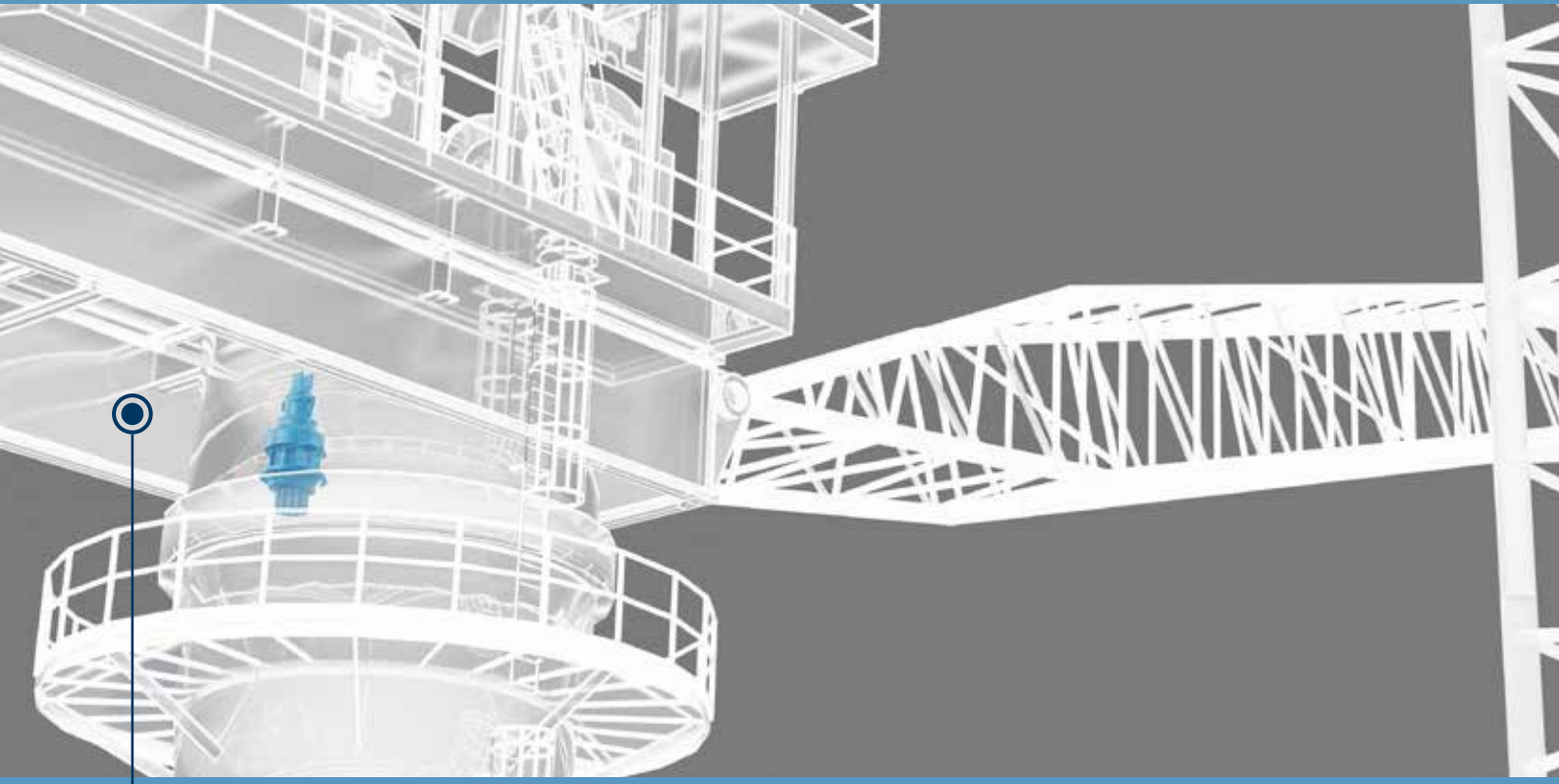
The design of several groups of products and jacking gears has been approved by major Classification companies, such as ABS, DNV GL, LR, CCS, RS, etc. These products can be delivered with 3.2 certification and full traceability of the load bearing components.

In addition, we can provide ATEX-certified and special drives developed for low-temperature applications. Bonfiglioli has also developed a specific range of gearboxes for jacking machinery with rack-and-pinion design, intended for jack-up drilling rigs, service lift boats, accommodation and windmill installation vessels.

Bonfiglioli and O&K product series offer one of the widest ranges of final drives in the world - up to 3.000.000 Nm - to their customers.







## OFFSHORE CRANES

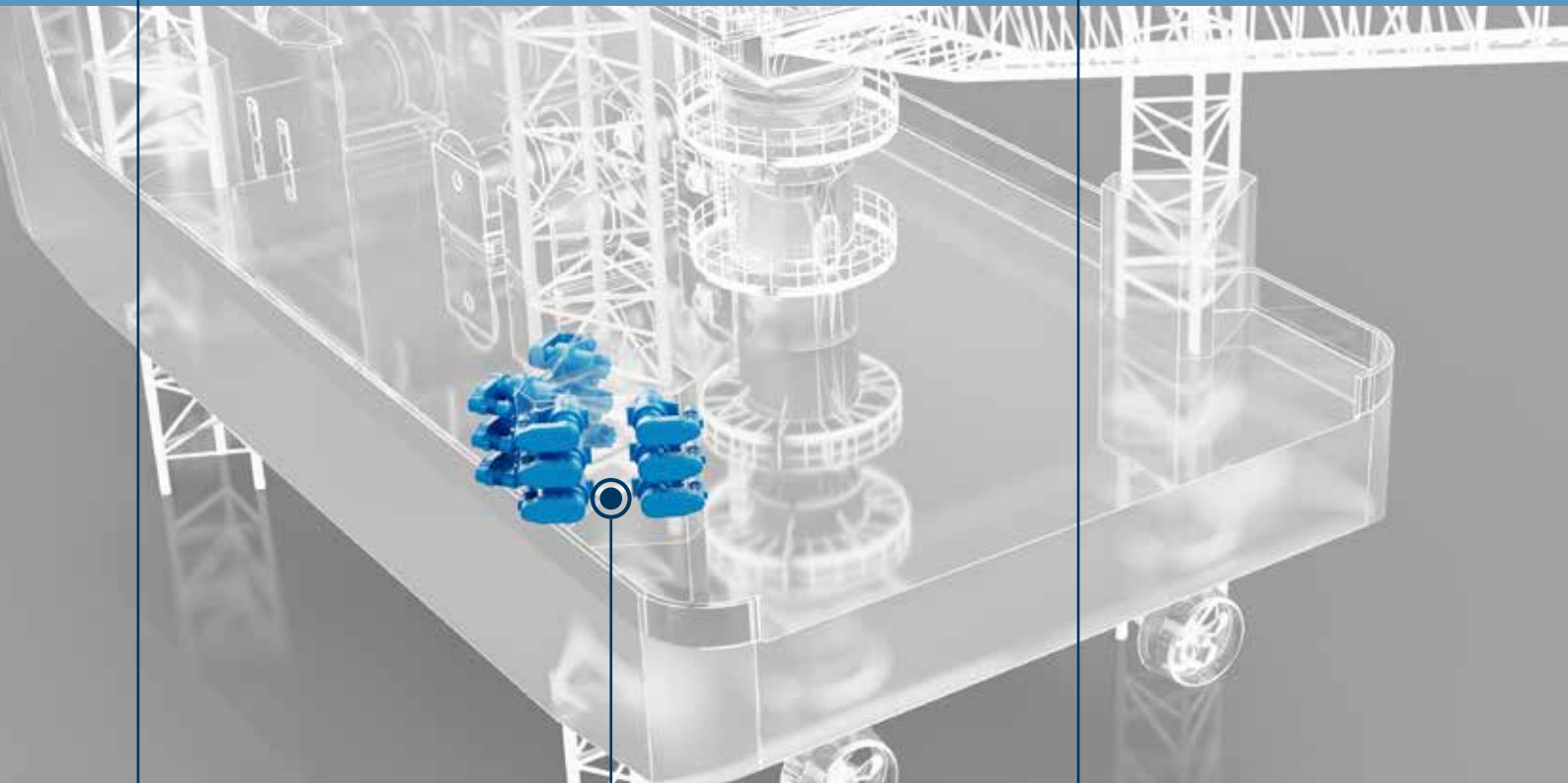
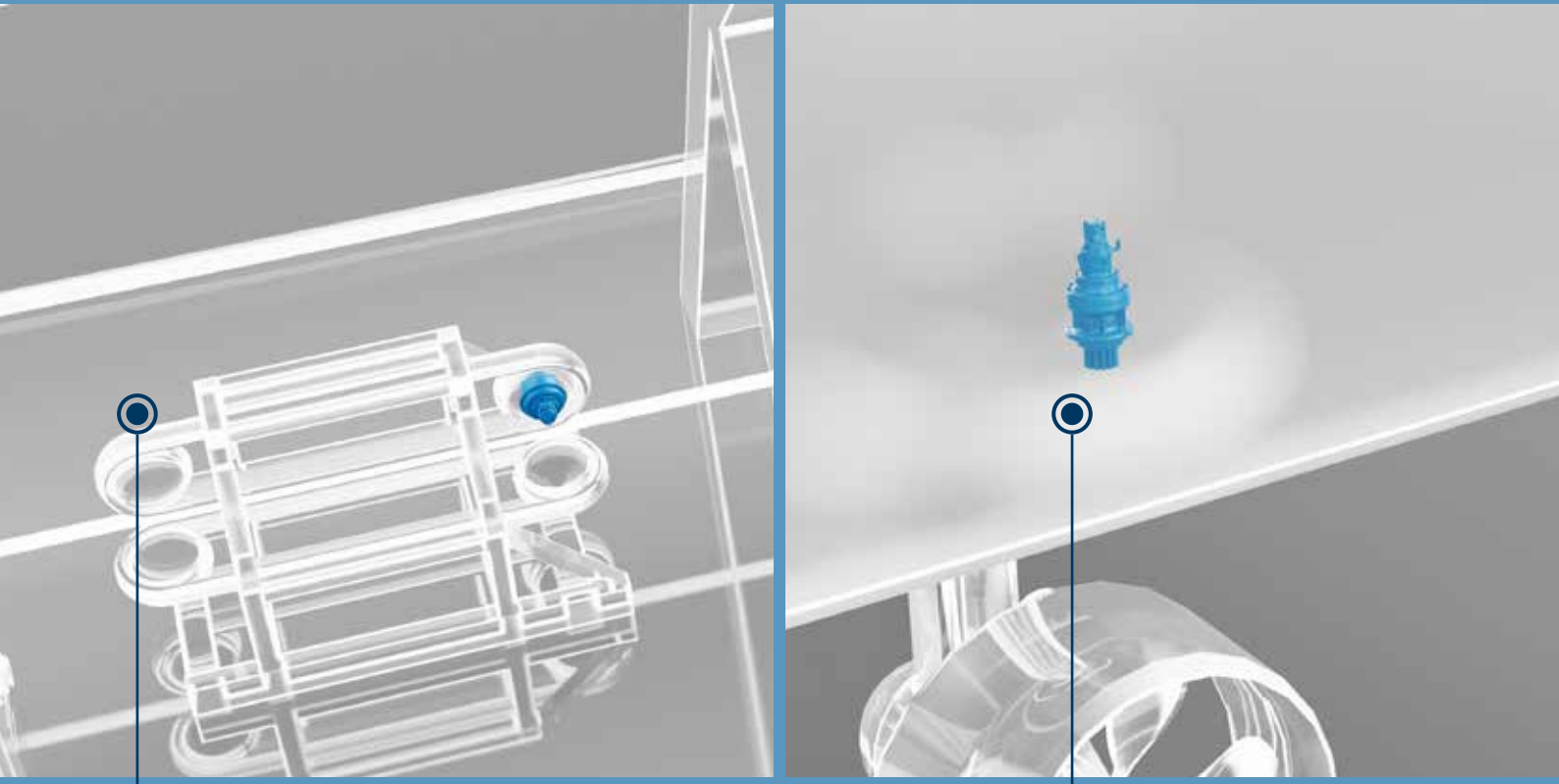
- FW Series
- FWX Series
- 800 Series
- 700C Series
- S Series
- 700T Series

## DECK MACHINERY

- FW Series
- FWX Series
- 800 Series
- 700C Series
- S Series
- 700T Series
- 300 Series
- HDO Series

## LIFEBOAT DAVIT CRANES

- FW Series
- 800 Series
- 700C Series



## PIPE TENSIONERS

- FW Series
- 700C Series

## JACKING SYSTEM

- 700T Series
- JD Series

## AZIMUTH THRUSTERS

- 700T Series
- 300 Series



## WINCH DRIVES

- FW Series
- FWX Series
- 800 Series
- 700C Series



## SLEW DRIVES

- 700T Series
- S Series



## STEERING DRIVES

- 700T Series
- 300 Series





4

**JACK-UP DRIVES**

- 700T Series
- JD Series



5

**TRACK TENSIONER DRIVES**

- FW Series
- 700C Series



6

**MULTIPURPOSE PLANETARY DRIVES**

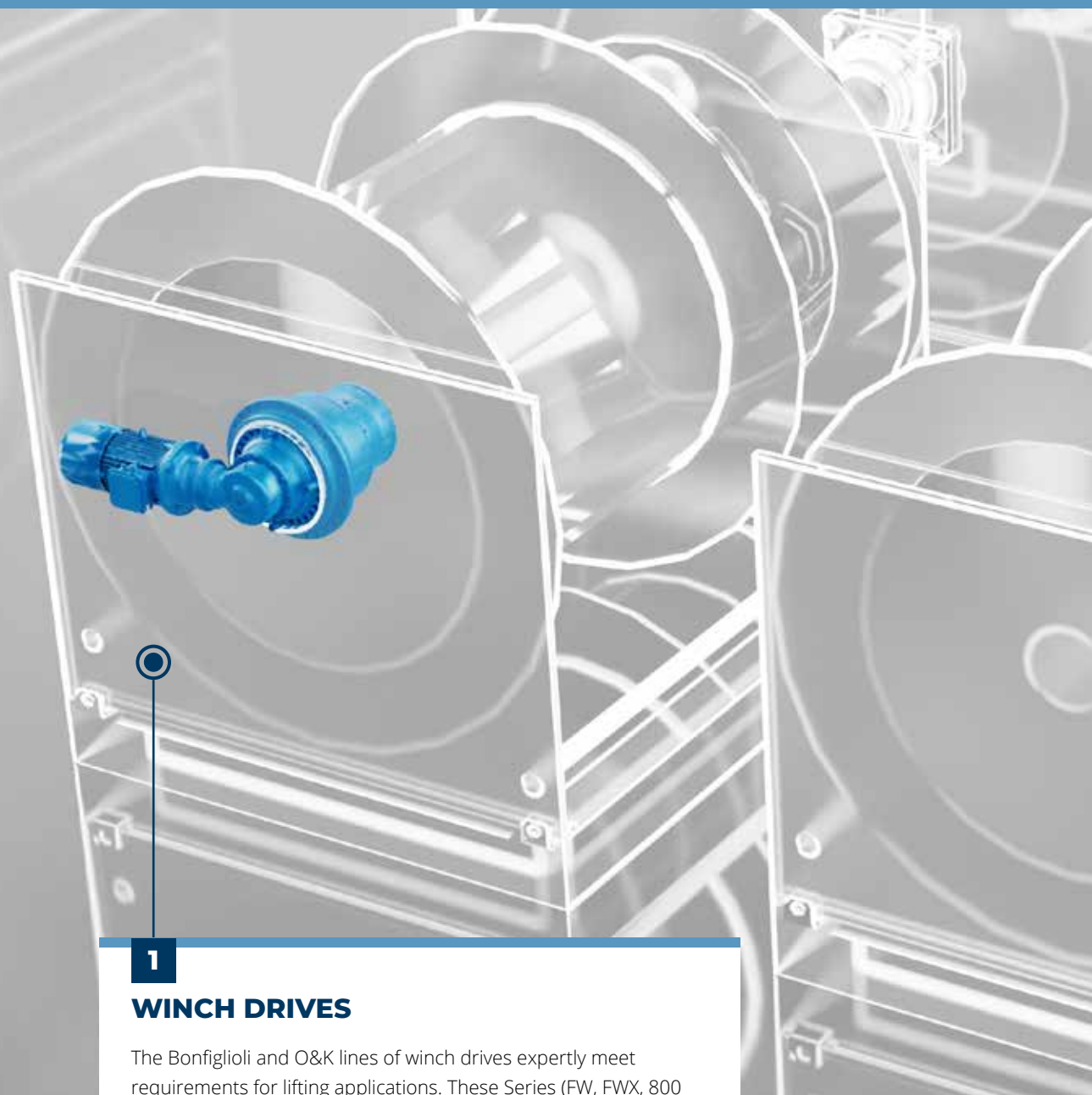
- 300 Series



7

**HELICAL DRIVES**

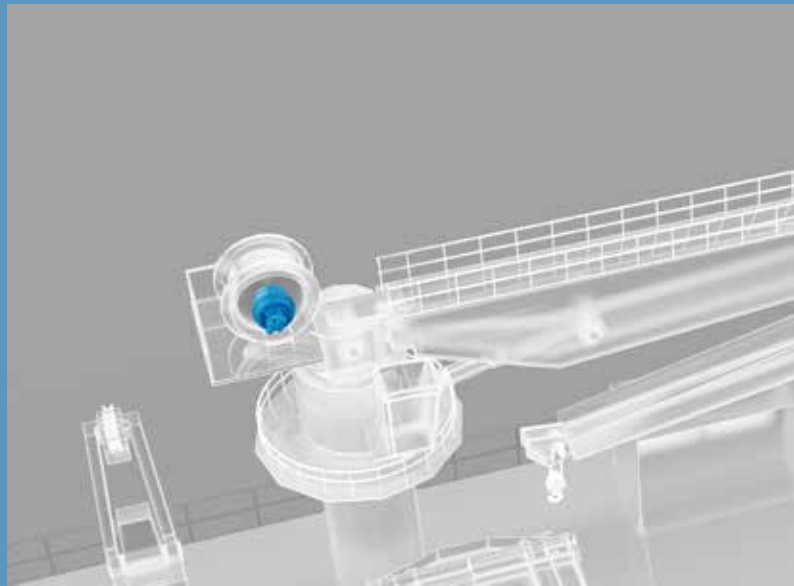
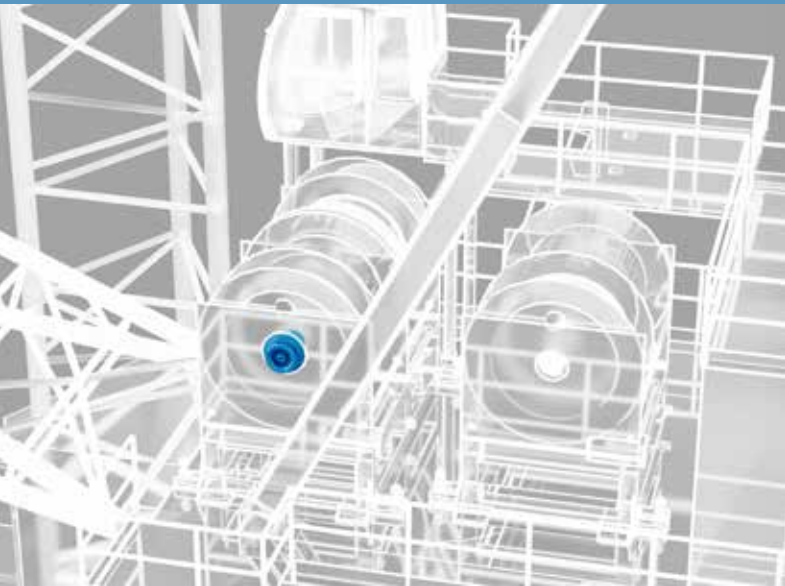
- HDP/HDO Series



## 1

### WINCH DRIVES

The Bonfiglioli and O&K lines of winch drives expertly meet requirements for lifting applications. These Series (FW, FWX, 800 and 700C) cover the whole marine and off-shore sectors for this type of application.



## FW & FWX Series

Winch drives

**BENEFITS**

- High “performance / dimension” ratio
- Robust design
- Class approved drives on request
- Special design suitable on request

**FEATURES**

- High torque range
- Fitting for hydraulic and electric motors
- Integrated hydraulic brake available on request
- Special paint on request
- ATEX versions on request
- Linear and Angular input

**TORQUE RANGE**

Max Torque (Nm) up to

FW30	15.000	FW260	150.000
FW40	20.000	FW360	200.000
FW55	25.000	FWX440	260.000
FW80	39.000	FWX560	310.000
FW100	52.000	FWX650	450.000
FW130	73.000	FWX700	660.000
FW180	112.000	FWX1300	950.000
FW220	133.000	FWX3000	1.550.000

Considering FEM M5-L2-T5 @ output speed 15 rpm

Max Torques values depend on ratio and linear or angular configuration, for the specific selections contact Bonfiglioli



## 700C Series

Winch drives

- Compact design
- Designed for high volume series applications

- Fitting for hydraulic and electric motors
- Integrated hydraulic brake available on request
- Special paint on request

Max Torque (Nm) up to

705C2H	4.800
706C3B	9.500
707C3B	19.000
709C3B	23.000
710C3B	29.000
711C3B	32.000
713C3B	45.000
715C3B	55.000
716C3B	76.000
717C3H	95.000
718C3H	105.000
720C3H	174.000
722C3H	249.000

Considering FEM M5-L2-T5 @ output speed 15 rpm

Max Torques values depend on ratio and linear or angular configuration, for the specific selections contact Bonfiglioli



## 800 Series

Winch drives

- Modular design allows high flexibility and fast delivery using the standard components of the 300 Series
- Class approved drives on request

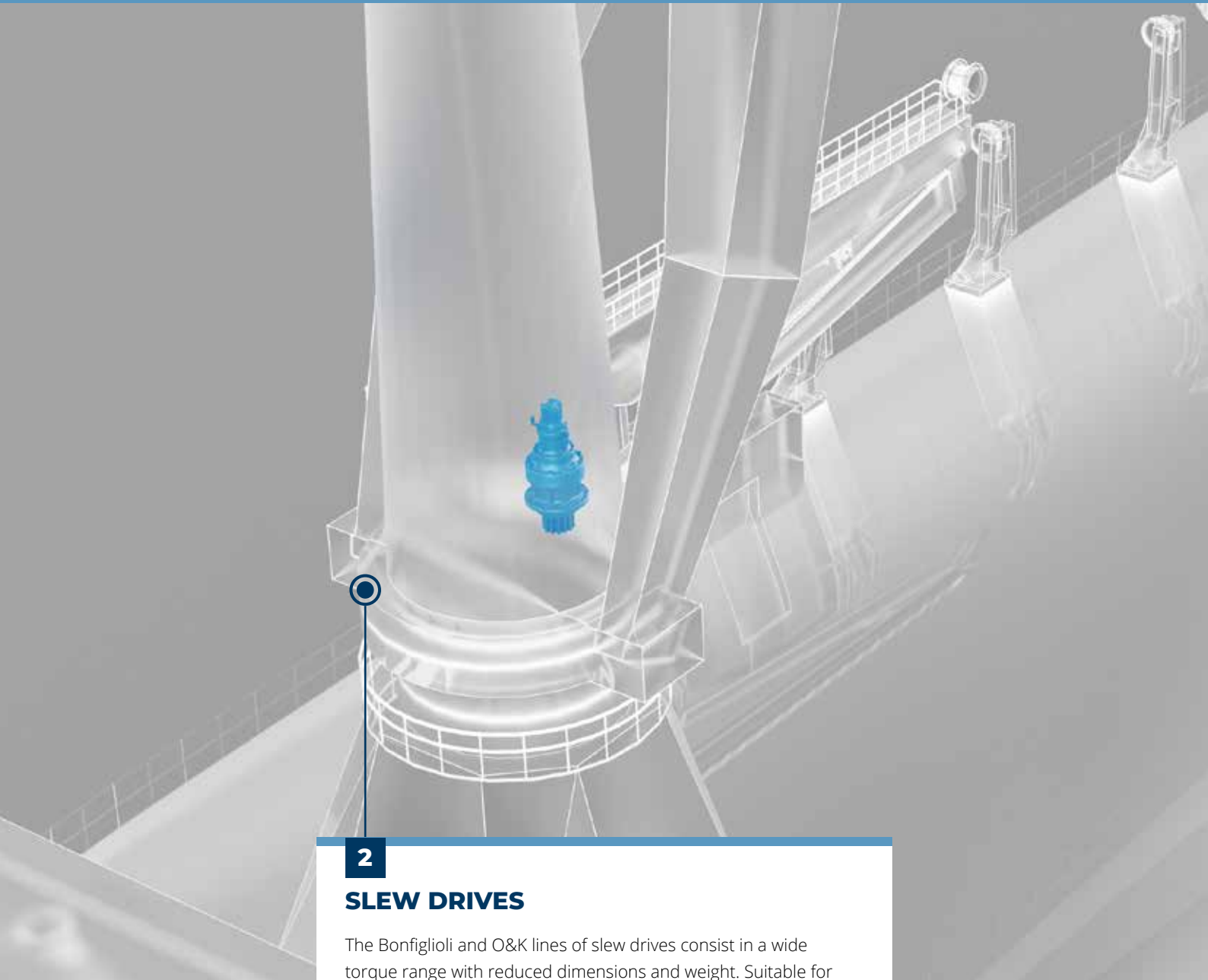
- Fitting for hydraulic and electric motors
- Integrated hydraulic brake available on request
- Special paint on request
- ATEX versions on request
- Linear and Angular input

Max Torque (Nm) up to

810WL3	30.000
813WL3	45.000
815WL3	58.000
818WL3	120.000
824WL3	285.000

Considering FEM M5-L2-T5 @ output speed 15 rpm

Max Torques values depend on ratio and linear or angular configuration, for the specific selections contact Bonfiglioli

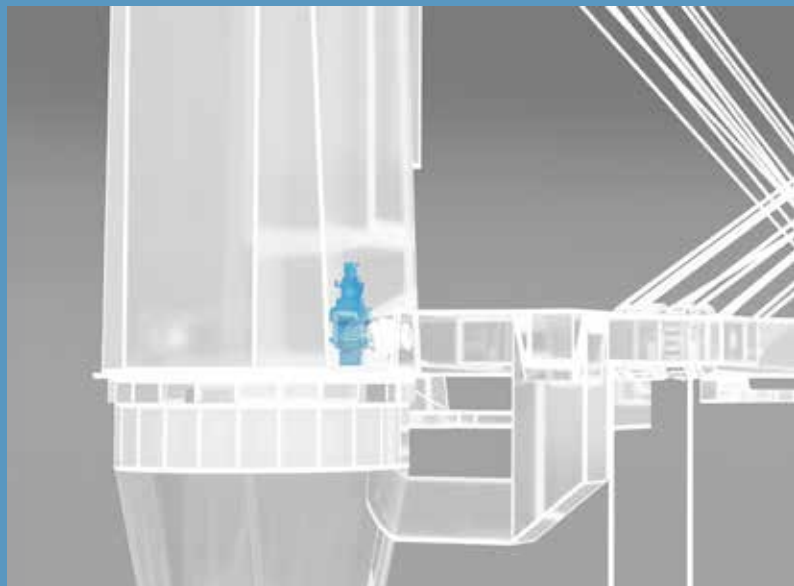
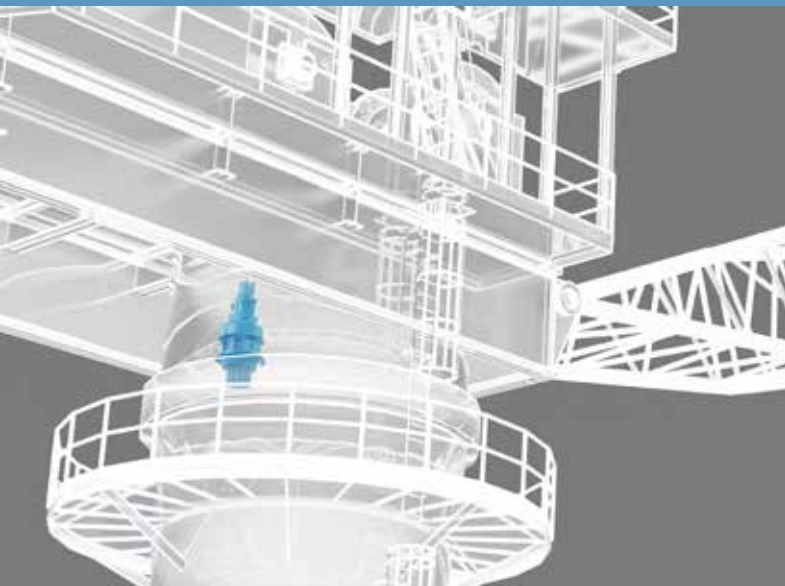


2

## SLEW DRIVES

The Bonfiglioli and O&K lines of slew drives consist in a wide torque range with reduced dimensions and weight. Suitable for the most demanding offshore jobs, these drives are available with splined shaft or integrated pinions. Their design optimizes torque performance and radial load capacity to give excellently mesh pinion and ring gear. For accurate adjustment, the Bonfiglioli series is also available with eccentric mounting between the pinion axis and the casing axis.





## 700T Series

### Slew drives

#### BENEFITS

- Wide torque range
- Class approved drives on request

#### FEATURES

- Output shaft: splined or integrated pinion
- Fitting for hydraulic and electric motors
- Integrated hydraulic brake available on request
- Special paint on request
- ATEX versions on request

#### TORQUE RANGE

Max Torque (Nm) up to	
700T	1.200
701T	2.400
703T	3.500
704T	4.800
705T	6.500
706T	10.000
707T	15.000
709T	20.000
710T	30.000
711T	35.000
712T	45.000
713T	55.000
714T	65.000
715T	80.000

Max Torques values depend on ratio and linear or angular configuration, for the specific selections contact Bonfiglioli



## S Series

### Slew drives

- Compact structure
- High performance
- Interchangeable solutions
- Class approved drives on request

- Fitting for hydraulic and electric motors
- Integrated hydraulic brake available on request
- Special paint on request
- ATEX versions on request

Max Torque (Nm) up to	
S5	5.000
S7	7.000
S10	10.000
S13	13.000
S20	20.000
S30	30.000
S35	35.000
S40	40.000
S54	54.000
S60	60.000
S90	90.000
S130	130.000
S440	440.000

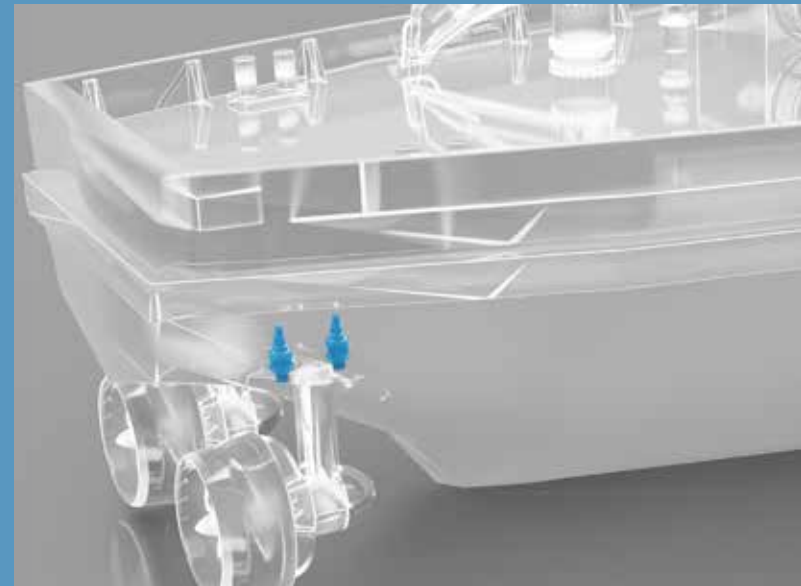
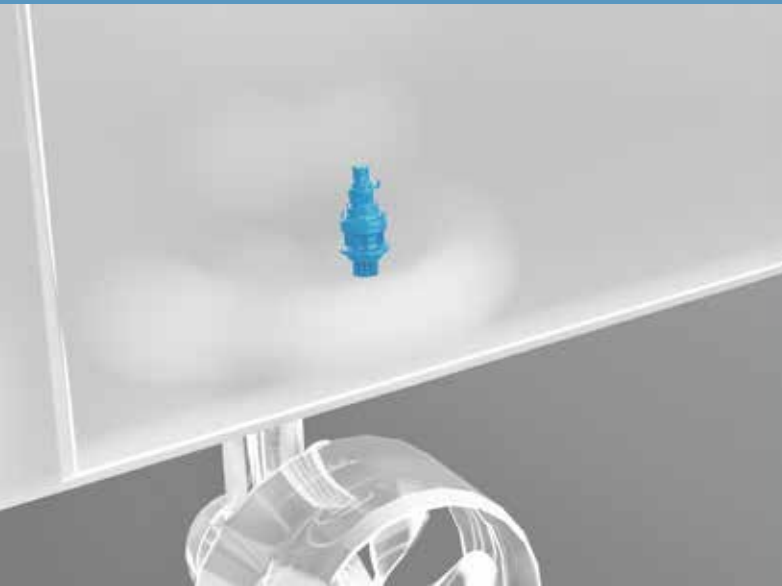
Max Torques values depend on ratio and linear or angular configuration, for the specific selections contact Bonfiglioli



3

## STEERING DRIVES

The Bonfiglioli line of azimuth thruster drives includes a wide range of sizes. Their design optimizes torque performance and radial load capacity to give excellently mesh pinion and ring gear.



## 700T Series

### Steering drives

#### BENEFITS

- Wide torque range
- Class approved drives on request

#### FEATURES

- Splined shaft or integrated pinion
- Pinion Certification 3.2 on request
- Fitting for hydraulic and electric motors
- Integrated hydraulic brake available on request
- Special paint on request

#### TORQUE RANGE

	Max Torque (Nm) up to
706T	10.000
707T	15.000
709T	20.000
710T	30.000
711T	35.000
712T	45.000
713T	55.000
714T	65.000
715T	80.000

Max Torques values depend on ratio and linear or angular configuration, for the specific selections contact Bonfiglioli



## 300 Series

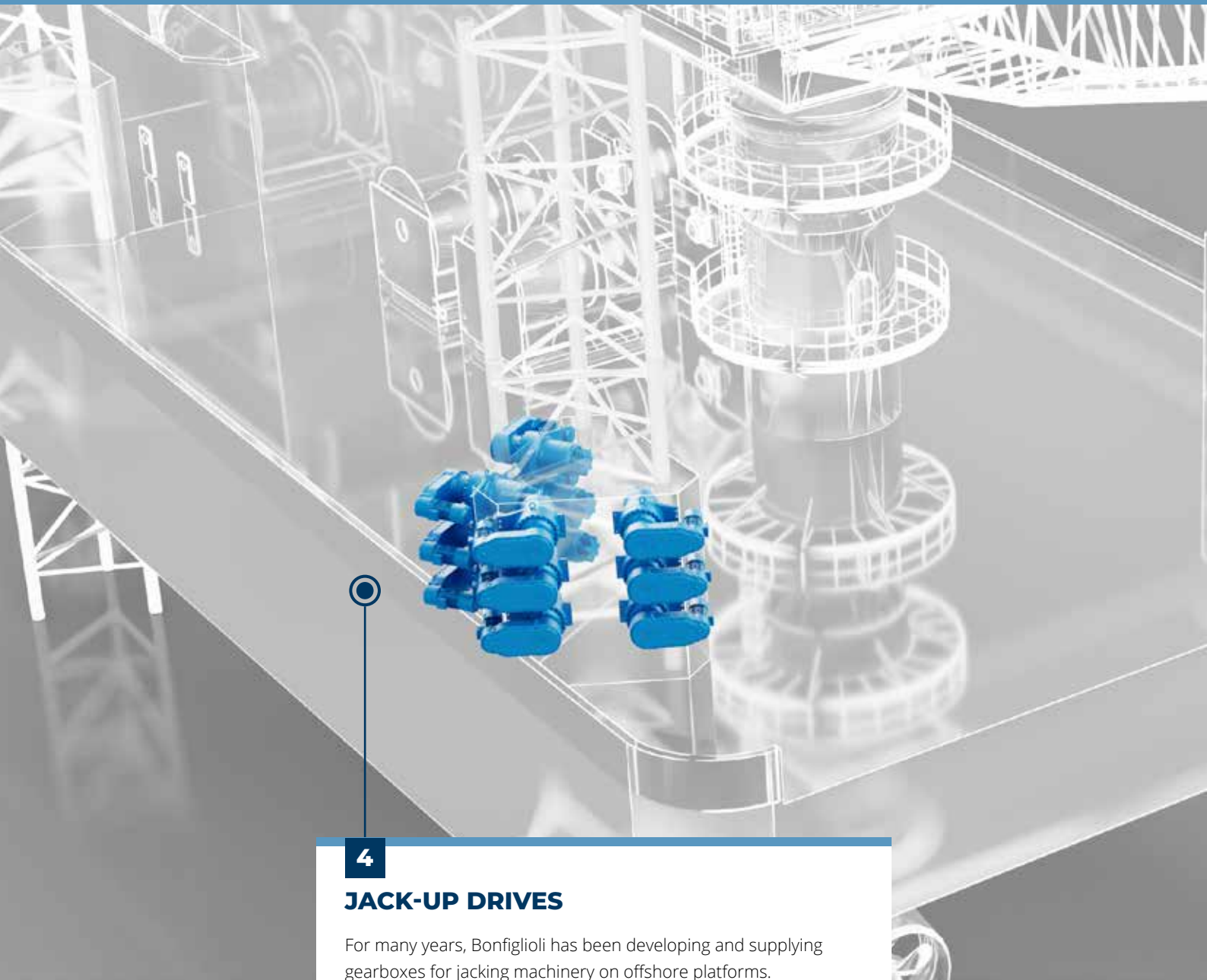
### Multipurpose planetary drives

- Wide torque range
- Class approved drives on request
- Huge number of configurations

- Fitting for hydraulic and electric motors
- Integrated hydraulic brake available on request
- Special paint on request

	Max Torque (Nm) up to
306	8.500
307	12.500
309	18.000
310	25.000
311	40.000
313	55.000
314	80.000
315	100.000
316	134.000
317	170.000

Max Torques values depend on ratio and linear or angular configuration, for the specific selections contact Bonfiglioli



4

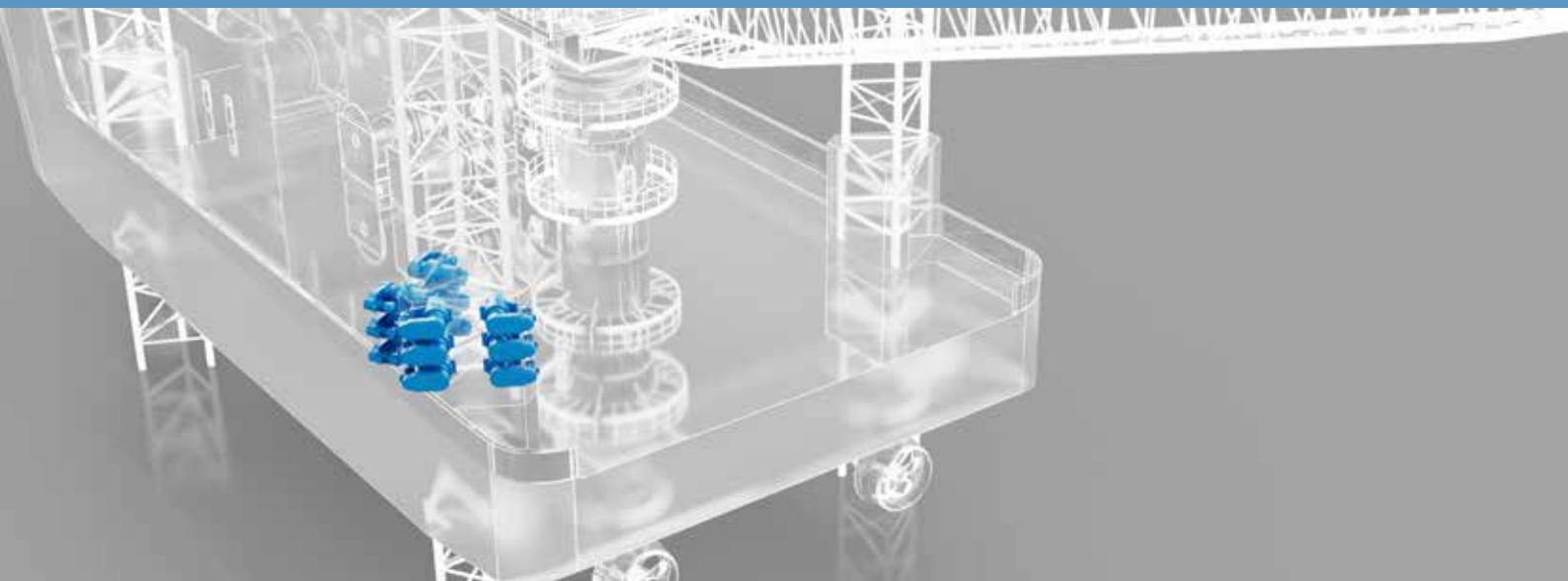
## JACK-UP DRIVES

For many years, Bonfiglioli has been developing and supplying gearboxes for jacking machinery on offshore platforms. Units can be in-line or have a drop box for offset motor installation.

They can be electrically or hydraulically driven, with or without a negative parking brake.

Bonfiglioli can deliver integrated pinions up to more than m100 and lantern pieces with integrated torque arm for easy installation. Units class approved, and full 3.2 certification of the load-bearing parts of the gear transmission with full traceability from raw material to final machined component.





## 700T & JD Series

### Jack-up drives

#### BENEFITS

- Wide range of jacking torques
- Special design suitable on request

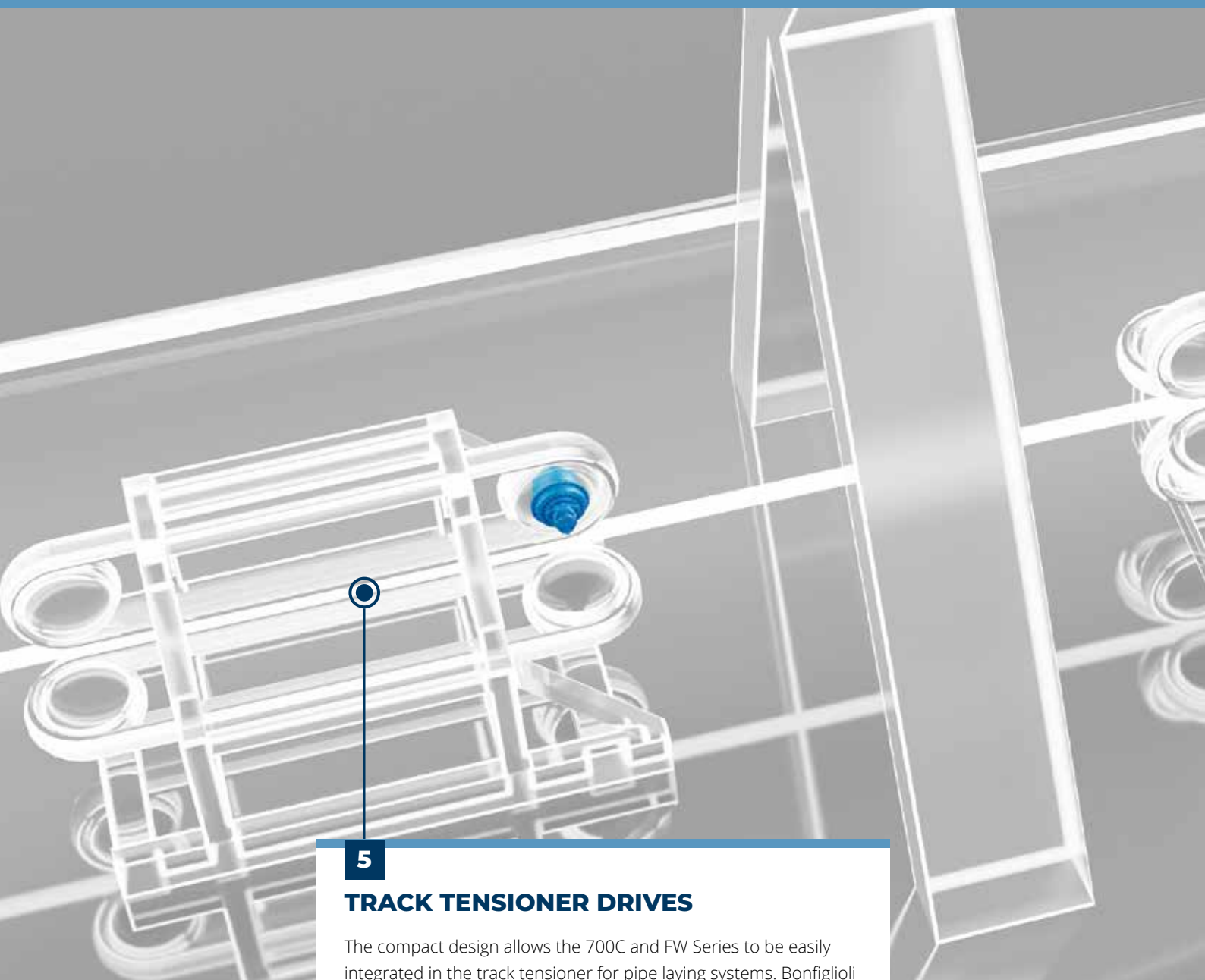
#### FEATURES

- Fitting for hydraulic and electric motors
- Splined shaft or integrated pinions up to more than m100
- Integrated torque arm
- Special paint on request

#### TORQUE RANGE

Max Jacking Torque (Nm)	
718 T5	163.000
718 T5 FZ	225.000
719 T5	305.000
721 T5	650.000
JD 1300	810.000
JD 2000	1.260.000
JD 3000	1.770.000

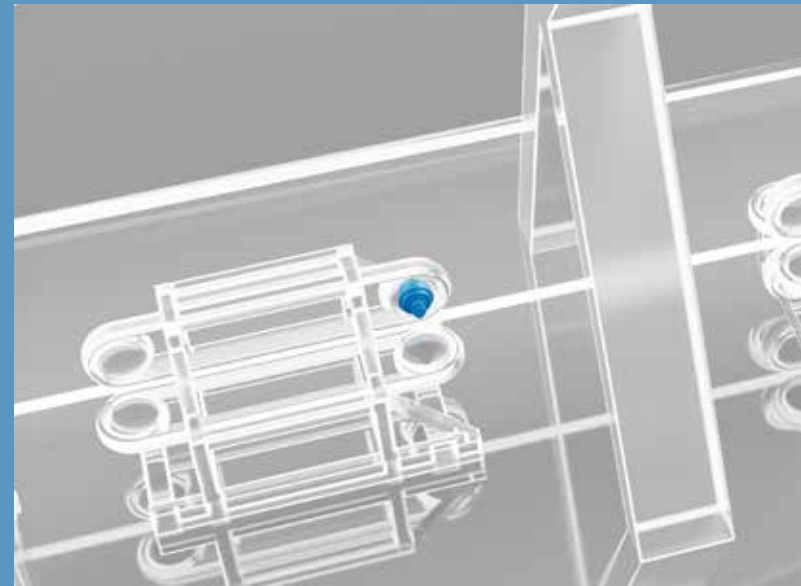
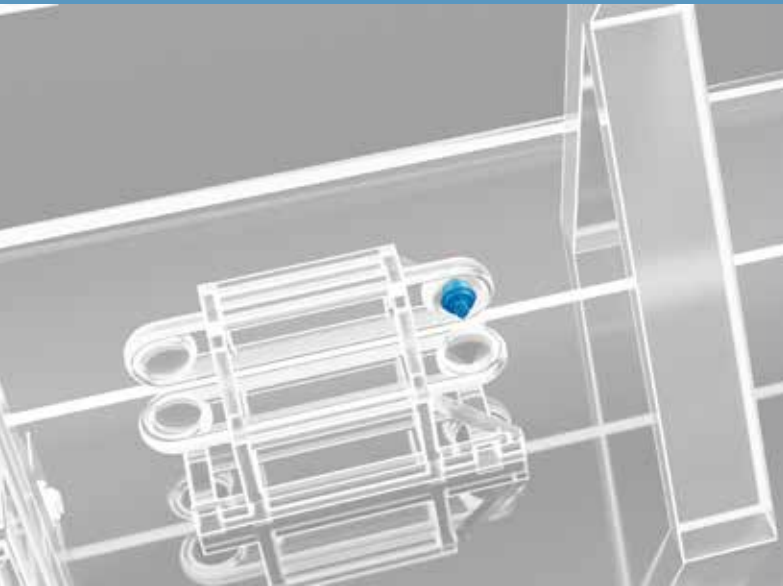
*Max Torques values depend on ratio and linear or angular configuration, for the specific selections contact Bonfiglioli*



5

## TRACK TENSIONER DRIVES

The compact design allows the 700C and FW Series to be easily integrated in the track tensioner for pipe laying systems. Bonfiglioli IS support this market in this special application since several years.



## 700C Series

Track tensioner drives



## FW Series

Track tensioner drives

### BENEFITS

- Compact design

- High "performance / dimension" ratio

### FEATURES

- Special paint on request
- Linear and Angular input

- Special paint on request
- Linear and Angular input

### TORQUE RANGE

Max Torque (Nm) up to

710C3B	29.000
711C3B	32.000
713C3B	45.000
715C3B	57.000
716C3B	76.000
717C3H	95.000
718C3H	105.000
720C3H	174.000
722C3H	249.000

Considering FEM M5-L2-T5 @ output speed 15 rpm

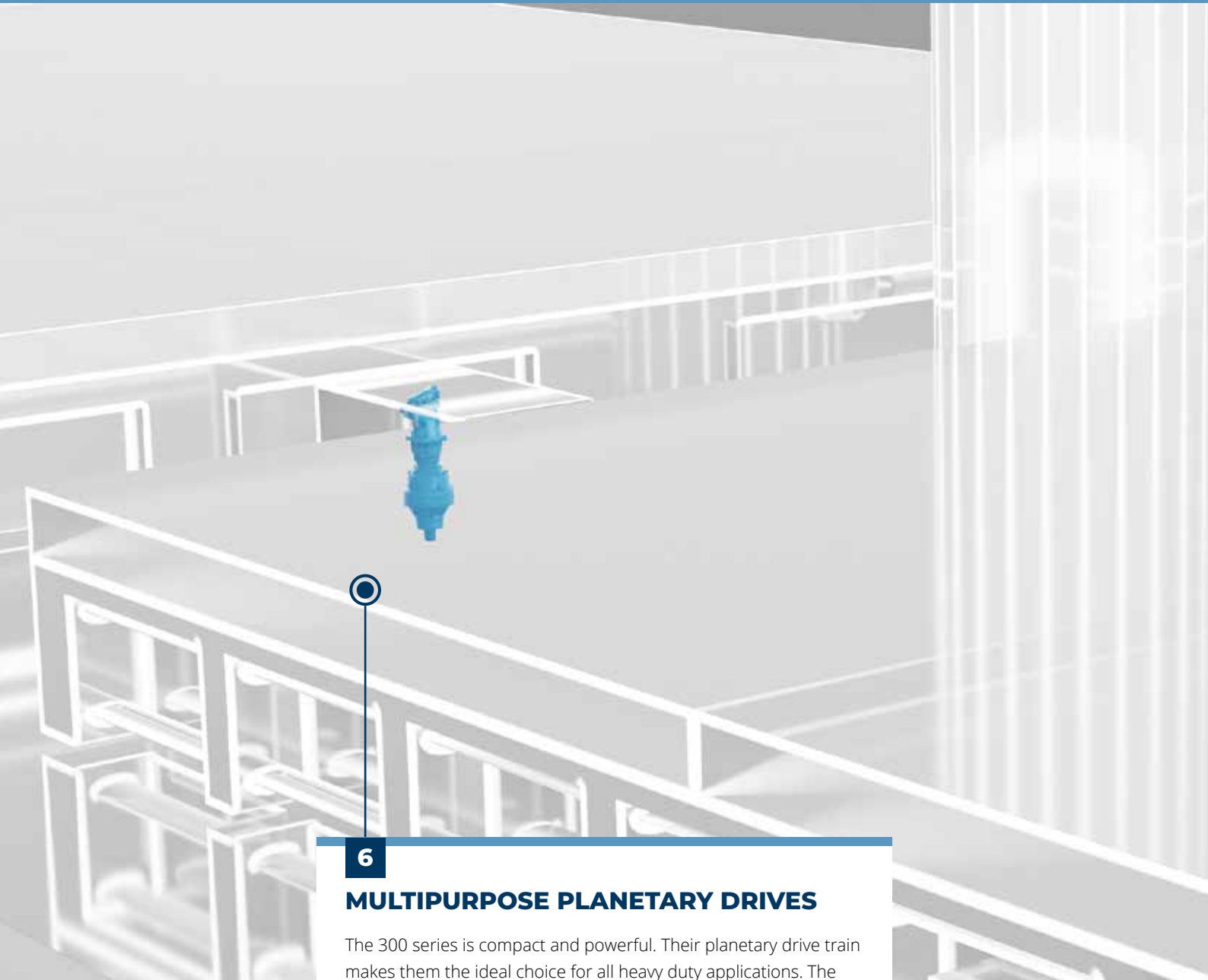
Max Torques values depend on ratio and linear or angular configuration, for the specific selections contact Bonfiglioli

Max Torque (Nm) up to

FW30	15.000
FW40	20.000
FW55	25.000
FW80	39.000
FW100	52.000
FW130	73.000
FW180	112.000
FW220	133.000
FW260	150.000
FW360	200.000

Considering FEM M5-L2-T5 @ output speed 15 rpm

Max Torques values depend on ratio and linear or angular configuration, for the specific selections contact Bonfiglioli

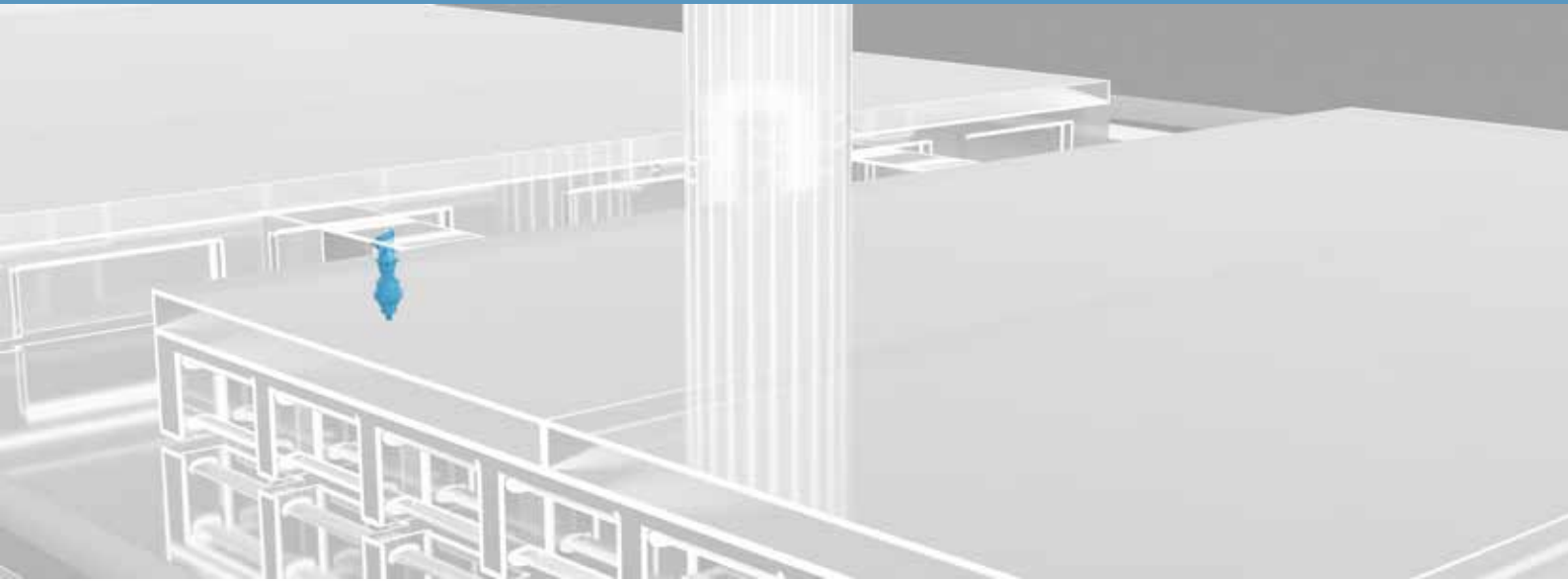


## 6

### **MULTIPURPOSE PLANETARY DRIVES**

The 300 series is compact and powerful. Their planetary drive train makes them the ideal choice for all heavy duty applications. The product configuration is highly versatile, due to several options for mounting, gear layout, output shaft and motor interface. All the features are available for each of the 20 finely spaced frame sizes.





## 300 Series

### Multipurpose planetary drives

#### BENEFITS

- Modular design allows high flexibility and fast delivery
- Huge number of configurations
- Class approved drives on request

#### FEATURES

- Fitting for hydraulic and electric motors
- Integrated hydraulic brake available on request
- Special paint on request
- ATEX versions on request
- Linear and Angular input

#### TORQUE RANGE

Max Torque (Nm) up to

300	1.000	313	55.000
301	1.750	314	80.000
303	2.500	315	100.000
304	3.600	316	134.000
305	5.000	317	170.000
306	8.500	318	250.000
307	12.500	319	350.000
309	18.000	321	500.000
310	25.000	323	800.000
311	40.000	325	1.100.000

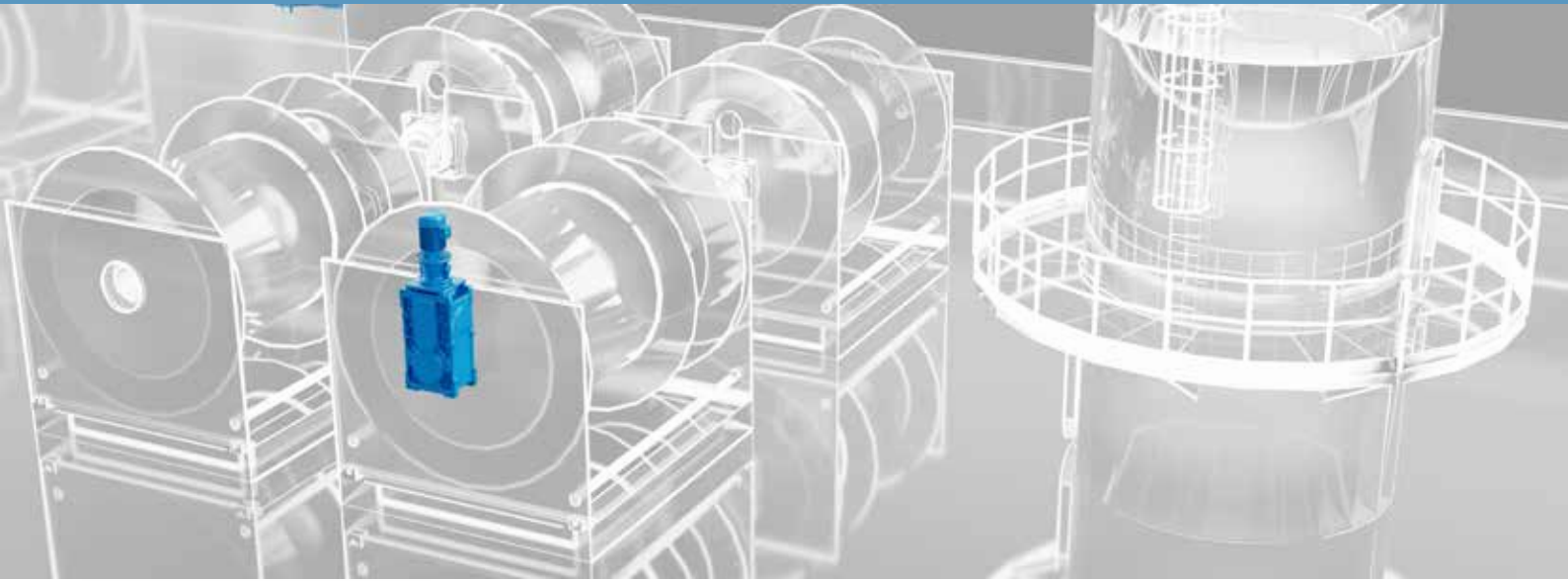
Max Torques values depend on ratio and linear or angular configuration, for the specific selections contact Bonfiglioli



## 7

### **HELICAL DRIVES (PARALLEL OR ORTHOGONAL SHAFTS)**

High torque, robustness, reliability and long-operating life are the main features of the HDx Series main features. The output shaft can be chosen both in the parallel (HDP) or right angle (HDO) configuration to always ensure the optimization of mounting space. The HDx Series can also be fully customized thanks to an extremely broad portfolio of options and accessories. It thus meets most requirements of a large number of applications.



## HDP/HDO Series

Helical drives (parallel or bevel shaft)

### BENEFITS

- Highly transmissible power
- Robustness
- Mounting flexibility
- Compact design
- Class approved drives on request

### FEATURES

- Wide range of options and accessories
- Fitting for hydraulic and electric motors
- Integrated hydraulic brake available on request
- Special paint on request
- ATEX versions on request

### TORQUE RANGE

	Max Torque (Nm) up to
HD_71	8.990
HD_81	14.740
HD_91	21.610
HD_95	23.200
HD_100	28.210
HD_110	31.790
HD_120	41.250
HD_125	49.240
HD_130	69.570
HD_140	87.060
HD_150	117.800
HD_160	147.070
HD_170	190.190
HD_180	209.900

*Max Torques values depend on ratio and linear or angular configuration, for the specific selections contact Bonfiglioli*

# OUR PROJECTION INTO THE FUTURE

---

MORE THAN 250 EMPLOYEES AROUND THE WORLD ARE INVOLVED IN THE GROUP'S R&D ACTIVITIES.

## DESIGN SIMULATION

Bonfiglioli has the most advanced **virtual simulation techniques** that allow to speed up the validation process, thus reducing time to market and providing customers with optimized and efficient solutions.



## TEST LABORATORIES

In our R&D department we **research, develop, validate and certify** all the products and solutions which are engineered and manufactured in our plants across the world.



## CO-ENGINEERING

At Bonfiglioli we **work close to our customers to satisfy all their needs** and requirements with a true tailormade solution.



# OUR CONSTANT AMBITION

---

QUALITY, HEALTH, SAFETY, ENVIRONMENT & ENERGY

## QUALITY: WE CARE ABOUT OUR CUSTOMERS

Our team is wholly dedicated to continuous improvement in the quality, safety, environmental and energy spheres throughout the entire value chain, from the smallest supplier to the end client. Bonfiglioli is committed to achieving the highest quality standards, and our products are intended to generate value for our customers while respecting both people and the environment. We design, manufacture and supply effective products and services that set a benchmark for quality in the industry.

Bonfiglioli management systems are certified ISO 9001: 2015, ISO 14001: 2015, ISO 45001: 2018 and ISO 50001:2018, while our products are covered by 7 international certifications. Responsibility, excellence and continuous improvement are the basic elements that make us the favored partner of our clients and suppliers.

## HEALTH & SAFETY: SUSTAINABILITY STARTS WITH SAFETY

Prevention of accidents and incidents is a key element of our company's sustainability strategy and an integral part of each one of our business processes. The successful management of risks is essential for protecting our employees and assets, thereby strengthening their contributions.

## ENVIRONMENT & ENERGY: RESPECT THE PRESENT TO BUILD THE FUTURE

At Bonfiglioli, we believe that respect for the present and the adoption of environmental protection and energy efficiency policies are essential if we are to enjoy a better future.



# OUR GLOBAL PRESENCE

---

Thanks to an international network of closely interconnected commercial and production sites, we can guarantee the same high standards of Bonfiglioli quality anywhere at any given time. We know that our direct presence in local markets is the key to long-lasting success, so our family includes 20 production sites, 26 commercial sites and more than 550 distributors around the world.

Our organization is always close by, offering complete and efficient solutions and supporting our customers with dedicated services, co-engineering and after-sales assistance.



**20**  
PRODUCTION SITES

**26**  
COMMERCIAL SITES

**80**  
COUNTRIES

**550**  
DISTRIBUTORS

**~4,800**  
PEOPLE

## AUSTRALIA

### Bonfiglioli Transmission (Aust.) Pty Ltd

2, Cox Place Glendenning NSW 2761  
Locked Bag 1000 Plumpton NSW 2761  
Tel. +61 2 8811 8000



## BRAZIL

### Bonfiglioli Redutores do Brasil Ltda

Av. Osvaldo Fregonezi, 171, cjs 31 e 44  
CEP 09851-015 - São Bernardo do Campo  
São Paulo  
Tel. +55 11 4344 2322



## CHINA

### Bonfiglioli Drives (Shanghai) Co. Ltd.

#68, Hui-Lian Road, QingPu District,  
201707 Shanghai  
Tel. +86 21 6700 2000



### Motion & Robotics

#568, Longpan Road, Jiading District,  
201707 Shanghai



### Bonfiglioli Trading (Shanghai) Co. Ltd.

Room 423, 4<sup>th</sup> Floor, #38, Yinglun Road,  
China (Shanghai) Pilot Free Trade Zone,  
Shanghai



### Selcom Electronics (Shanghai) Co., Ltd

A7, No.5399, Waiqingsong Road, QingPu  
District,  
201707 Shanghai  
Tel. +86 21 6010 8100



A24, No.5399, Waiqingsong Road, QingPu  
District,  
201707 Shanghai

Tel. +86 21 6010 8100



## FRANCE

### Bonfiglioli Transmission S.A.S.

14 Rue Eugène Pottier  
Zone Industrielle de Moimont II  
95670 Marly la Ville  
Tel. +33 1 34474510



## GERMANY

### Bonfiglioli Deutschland GmbH

Sperberweg 12 - 41468 Neuss  
Tel. +49 0 2131 2988 0



### Bonfiglioli Vectron GmbH

Europark Fichtenhain B6 - 47807 Krefeld  
Tel. +49 0 2151 8396 0



### O&K Antriebstechnik GmbH

Ruhrallee 8-12 - 45525 Hattingen  
Tel. +49 0 2324 2050 1



## INDIA

### Bonfiglioli Transmission Pvt. Ltd.

**Mobility & Wind Industries**  
AC 7 - AC 11 Sidco Industrial Estate  
Thirumudivakkam Chennai - 600 044  
Tel. +91 844 844 8649



### Discrete Manufacturing & Process Industries - Motion & Robotics

Survey No. 528/1,  
Perambakkam High Road Mannur Village,  
Sriperumbudur Taluk Chennai - 602 105  
Tel. +91 844 844 8649



### Discrete Manufacturing & Process Industries

Plot No.A-9/5, Phase IV MIDC Chakan,  
Village Nighoje Pune - 410 501  
Tel. +91 844 844 8649



## ITALY

### Bonfiglioli Riduttori S.p.A.

### Discrete Manufacturing & Process Industries

Via Cav. Clementino Bonfiglioli, 1  
40012 Calderara di Reno  
Tel. +39 051 6473111



### Discrete Manufacturing & Process Industries

Via Sandro Pertini, lotto 7b  
20080 Carpiano  
Tel. +39 02985081



### Discrete Manufacturing & Process Industries

Via Saliceto, 15 - 40010 Bentivoglio



### Mobility & Wind Industries

Via Enrico Mattei, 12 Z.I. Villa Selva  
47122 Forlì  
Tel. +39 0543 789111



### Motion & Robotics

Via Unione, 49 - 38068 Rovereto  
Tel. +39 0464 443435/36



### Selcom Group S.p.A.

Via Achille Grandi, 5  
40013 Castel Maggiore (BO)  
Tel. +39 051 6387111



Via Marino Serenari, 18  
40013 Castel Maggiore (BO)

Tel. +39 051 6387111



Via Cadriano, 19  
40057 Cadriano (BO)  
Tel. +39 051 6387111



## NEW ZEALAND

### Bonfiglioli Transmission (Aust.) Pty Ltd

88 Hastie Avenue, Mangere Bridge,  
2022 Auckland  
PO Box 11795, Ellerslie  
Tel. +64 09 634 6441



## SINGAPORE

### Bonfiglioli South East Asia Pte Ltd

8 Boon Lay Way, #04-09,  
8@Tadehub 21, Singapore 609964  
Tel. +65 6268 9869



## SLOVAKIA

### Bonfiglioli Slovakia s.r.o.

Robotnícka 2129  
Považská Bystrica, 01701 Slovakia  
Tel. +421 42 430 75 64



## SOUTH AFRICA

### Bonfiglioli South Africa Pty Ltd.

55 Galaxy Avenue, Linbro Business Park,  
Sandton, Johannesburg  
2090 South Africa  
Tel. +27 11 608 2030



## SPAIN

### Tecnotrans Bonfiglioli S.A

Avinguda del Ferrocarril, nº 14,  
Polígono Industrial Can Estapé  
08755 Castellbisbal - Barcelona  
Tel. +34 93 447 84 00



## TURKEY

### Bonfiglioli Turkey Jsc

Atatürk Organize Sanayi Bölgesi,  
10007 Sk. No. 30  
Atatürk Organize Sanayi Bölgesi,  
35620 Çiğli - İzmir  
Tel. +90 0 232 328 22 77



## UNITED KINGDOM

### Bonfiglioli UK Ltd.

Unit 1 Calver Quay, Calver Road, Winwick  
Warrington, Cheshire - WA2 8UD  
Tel. +44 1925 852667



## USA

### Bonfiglioli USA Inc.

3541 Hargrave Drive  
Hebron, Kentucky 41048  
Tel. +1 859 334 3333



## VIETNAM

### Bonfiglioli Vietnam Ltd.

Lot C-9D-CN My Phuoc Industrial Park 3  
Ben Cat - Binh Duong Province  
Tel. +84 650 3577411



PRODUCTION



ASSEMBLY



SALES



SERVICE



We have a relentless commitment to excellence, innovation & sustainability. Our team creates, distributes and services world-class power transmission & drive solutions to keep the world in motion.

#### HEADQUARTERS

##### Bonfiglioli S.p.A

Via Cav. Clementino Bonfiglioli, 1  
40012 Calderara di Reno - Bologna (Italy)  
Tel. +39 051 6473111

