

Solutions for

CONSTRUCTION INDUSTRY

 **Bonfiglioli**



CONTENTS

Solutions for

CONSTRUCTION	5
EARTH MOVING MACHINES	6
Mini-excavators.....	8
Compact track loaders.....	11
Excavators.....	12
BUILDING CONSTRUCTION	14
Building cranes.....	16
Rough terrain cranes.....	20
Truck-mounted cranes.....	22
Crawler cranes.....	24
Drilling machines.....	28
Crushers & screeners.....	32
CONCRETE PROCESSES	34
Concrete mixer.....	36
Truck-mounted concrete pumps.....	37
Transit mixer trucks.....	38
ROAD MACHINERY	40
Pavers.....	42
Road reclaimers.....	46
Soil compactors.....	47
Graders.....	48
Pneumatic tired rollers.....	49
Tandem vibratory rollers.....	50
Cold milling machines.....	52
OUR GLOBAL PRESENCE	54

Engineering Solutions



WWW.BONFIGLIOLI.COM

CONSTRUCTION

THE WIDEST RANGE OF SOLUTIONS FOR THE CONSTRUCTION INDUSTRY

We have been enhancing construction equipment performance, efficiency, productivity and reliability for over 40 years. With experience working with the major players worldwide, our team of experts creates, designs and produces advanced technological solutions for a wide range of applications, including road construction equipment and excavators. Our range of products, including track drives, slew drives and winch drives, are perfectly tailored to meet a wide variety of drive specifications, making us global leader in this industry.

Bonfiglioli's wide, diversified product ranges, fully meet the specifications of the various OEMs. Our drives and geared motors perfectly adapt to hydraulic, hybrid and electric machine needs. With a range of solutions suitable for machines weighing anywhere from 1 to 1,000 tons, we meet today's market needs. All the hydraulic/electric and mechanical functions are incorporated into a single unit that assures high reliability, excellent performance and smooth operation; moreover, due to its compact dimensions, it is very easy and economical to install in machines.

We are able to satisfy all application requirements for road construction and maintenance machinery, including milling machines, road compactors in all versions and road pavers. Each machine has its own specific structural and duty characteristics, which Bonfiglioli is well aware of, having over 40 years of experience in the industry, working in close partnership with leading manufacturers on the market.

The wide range of customized solutions and extensive expertise in the industry make Bonfiglioli the ideal partner.

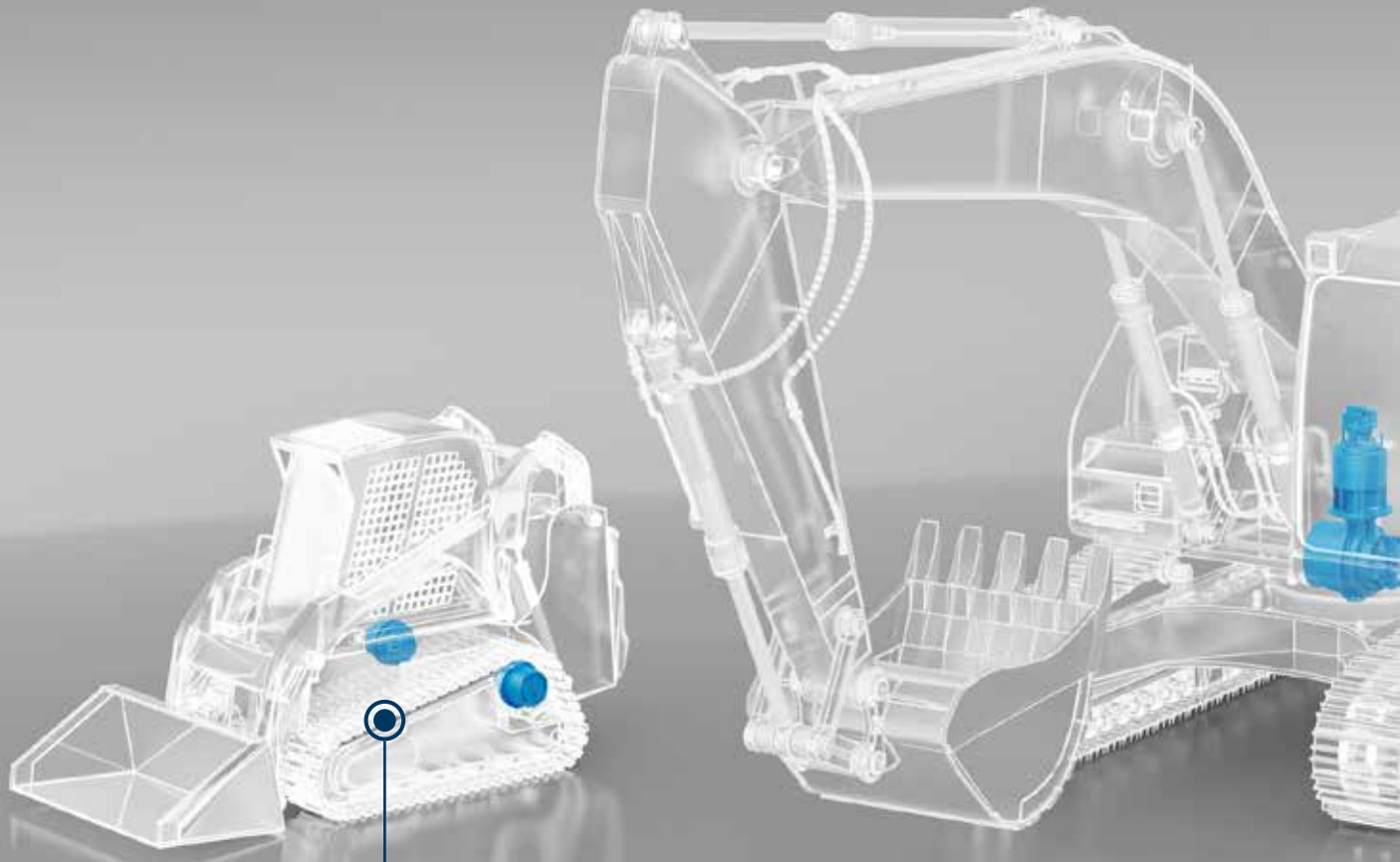


ELECTRIC SOLUTIONS

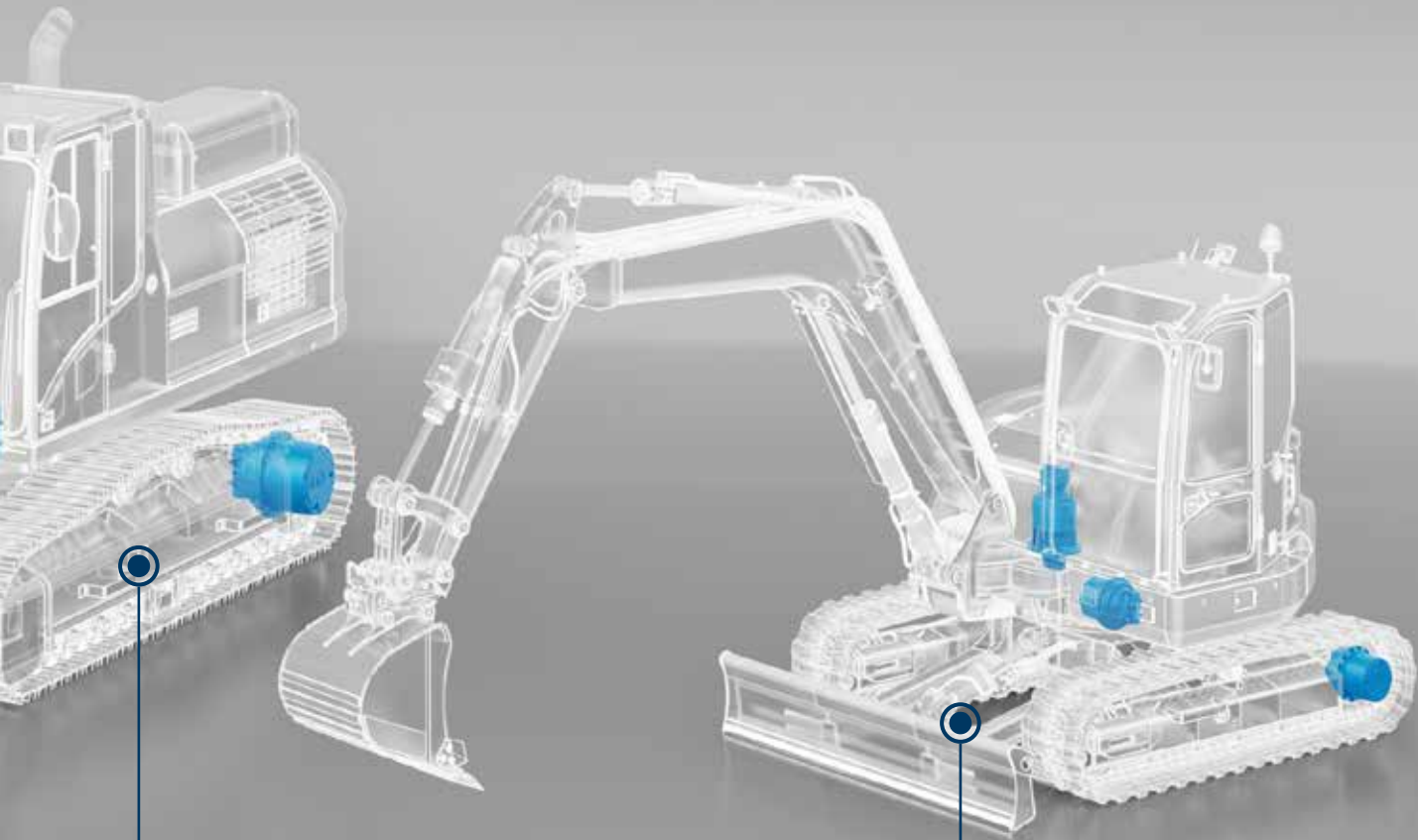


HYDRAULIC SOLUTIONS





2 COMPACT TRACK LOADERS



3 EXCAVATORS

1 MINI-EXCAVATORS

1

MINI-EXCAVATORS

Track, slew and pump drives

With a reliable series of products for 1 to 6 ton mini-excavators, Bonfiglioli gives machine builders the best possible choice of drive system. High performance, including high torque in a compact space, is one of our portfolio's key benefits. These solutions allow for smooth machine operation. In addition to traditional hydraulic products, the new electric solutions have been introduced following Bonfiglioli's electrification path.



700CE Series | 
Track Drives



700TE Series | 
Slew Drives



PM MOTOR Series | 
Pump Drives

BENEFITS

- Compact
- High performance
- High torque in a limited space
- Reduced TCO
- Easy maintenance
- Low noise
- No polluting emissions

FEATURES

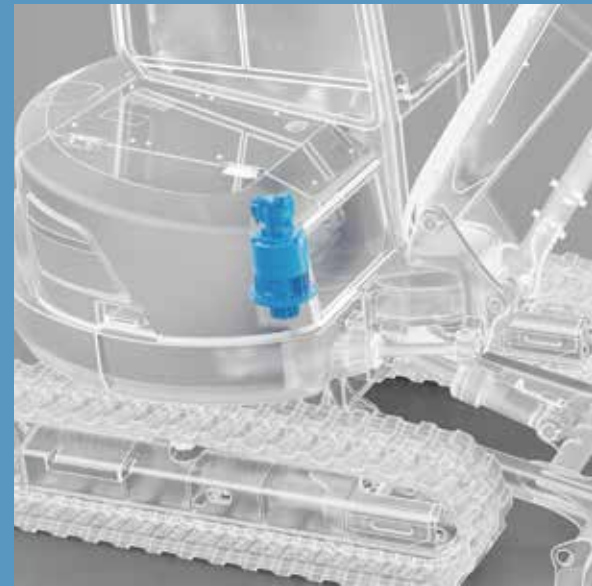
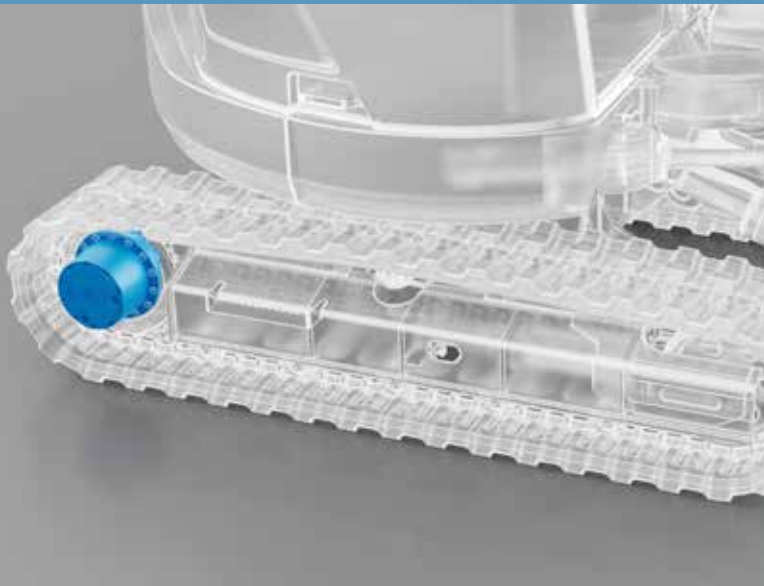
- Shorter axial length thanks to PM e-motor
- Fully integrated design
- Integrated electromagnetic parking brake
- Integrated speed and temperature sensors
- High protection rating
- Fully integrated design
- Integrated electromagnetic brake
- Integrated speed and temperature sensors
- High protection rating
- Permanent magnet motors
- Suitable for 48-96 Vdc batteries
- Air-cooled
- Aluminum housing
- Protection rating >IP65
- SAE flanges available

TECHNICAL DATA

Torque (Nm)	
700 CE	1,200
700-2 CE	1,900
701 CE	2,500
702 CE	3,500
704 CE	5,000
705 CE	9,000

Torque (Nm)	
700 TE	750
701 TE	1,200
703 TE	2,500
705 TE	5,000

Power (kW)	
BPM 200-L1	4
BPM 200-L2	7.5
BPM 200-L3	10
BPM 200-L4	15



700CK Series | 
Track Drives



700CP Series | 
Track Drives



700TK Series | 
Slew Drives

BENEFITS

- Compact, lightweight design
- Range of torques
- Motor-gearbox integrated solution

- Compact, lightweight design
- Motor-gearbox integrated solution

FEATURES

- Integrated motor-gearbox powered by hydraulic motor developed with Kayaba
- Rotating housing
- Pressure relief valve (shockless type) on request
- Anti-cavitation valve on request
- Multiple ratios
- Integrated disc-brake

- Integrated motor-gearbox powered by hydraulic motor developed with Poclain
- Rotating housing
- Pressure relief valve (shockless type) on request
- Anti-cavitation valve on request
- Multiple ratios
- Integrated disc-brake

- Flange mounted
- Output shaft: splined or with integral pinion
- Anti swing-back valve on request
- Integrated disc-brake
- Multiple ratios

TECHNICAL DATA

	Torque (Nm)
700 C2 K	1.200
700-2C2 K	1.900
701 C2 K	2.500
702 C2 K	3.500
704 C2 K	5.000

	Torque (Nm)
700 C2 P	1.200
700-2C2 P	1.900
701 C2 P	2.500
702 C2 P	3.500
704 C2 P	5.000

	Torque (Nm)
700 T1 K	750
701 T2 K	1.200
703 T2 K	2.000

2

COMPACT TRACK LOADERS

Track drives

With a reliable series of products for compact track loaders, Bonfiglioli gives OEMs the best possible choice of drive systems. High performance, including high torque in a compact space, is one of our portfolio's key benefits. These solutions allow smooth machine operation.

Electric drive system

Bonfiglioli's electric version of the track drive combines the validated gearbox design with a liquid-cooled permanent magnet motor, offering a compact package that equals and indeed exceeds the propulsion and thrust performances of conventional machines, because power and torque are immediately available to the electric motor at every operating speed.

Additionally, as the track gearboxes are electrically driven, the machine can work in sensitive areas where emissions and noise are a concern, even on night shifts. Lastly, electric motors are virtually maintenance-free, allowing for longer maintenance intervals.



700CT Series | 
Track Drives



700CTE Series | 
Track Drives

BENEFITS

- Compact, lightweight design
- Range of torques
- Motor-gearbox integrated solution

- Able to work in sensitive areas without emissions
- Machine works with no noise and less vibration

- Increased productivity
- Less maintenance
- Maneuverability
- Compact design

FEATURES

- Integrated motor-gearbox powered by hydraulic motor developed with Danfoss
- Rotating housing
- Pressure relief valve (shockless type) on request
- Anti-cavitation valve on request
- Multiple ratios
- Integrated disc-brake

- Multistage planetary gearbox
- Rotating housing output
- Validated in the field
- Integrated parking brake
- Specific heavy-duty seals

- Permanent magnet motors
- Suitable for 400 - 700Vdc batteries
- Liquid-cooled
- Protection rating >IP67
- Rated power up to 30 kW

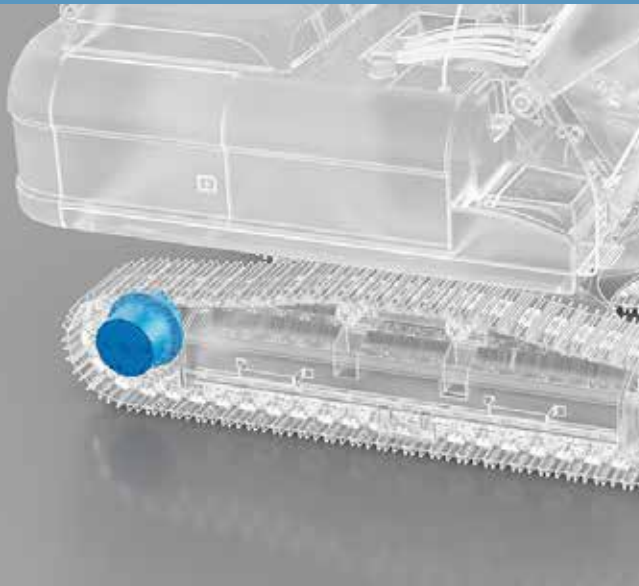
TECHNICAL DATA

	Torque (Nm)
702 CT	3.500
704 CT	5.000
705 CT	12.000
706 CT	12.500

	Torque (Nm)
704 CTE	5,000
705 CTE	12,500

	Rated power (kW)
BPM 240-L2	35





3

EXCAVATORS

Track drives

High performance, including high torque in a compact space, is one of our portfolio's key benefits. These solutions allow smooth machine operation.

Slew drives

Compact and efficient, Bonfiglioli slew drives for 7 to 150 tons excavators ensure the best possible machine efficiency and easy maintenance



700CK Series | 
Track Drives



F Series |  | 
Track Drives

BENEFITS

- Compact, lightweight design
- Range of torques
- Motor-gearbox integrated solution

FEATURES

- Integrated motor-gearbox powered by hydraulic motor developed with Kayaba
- Rotating housing
- Pressure relief valve (shockless type) on request
- Anti-cavitation valve on request
- Multiple ratios
- Integrated disc-brake

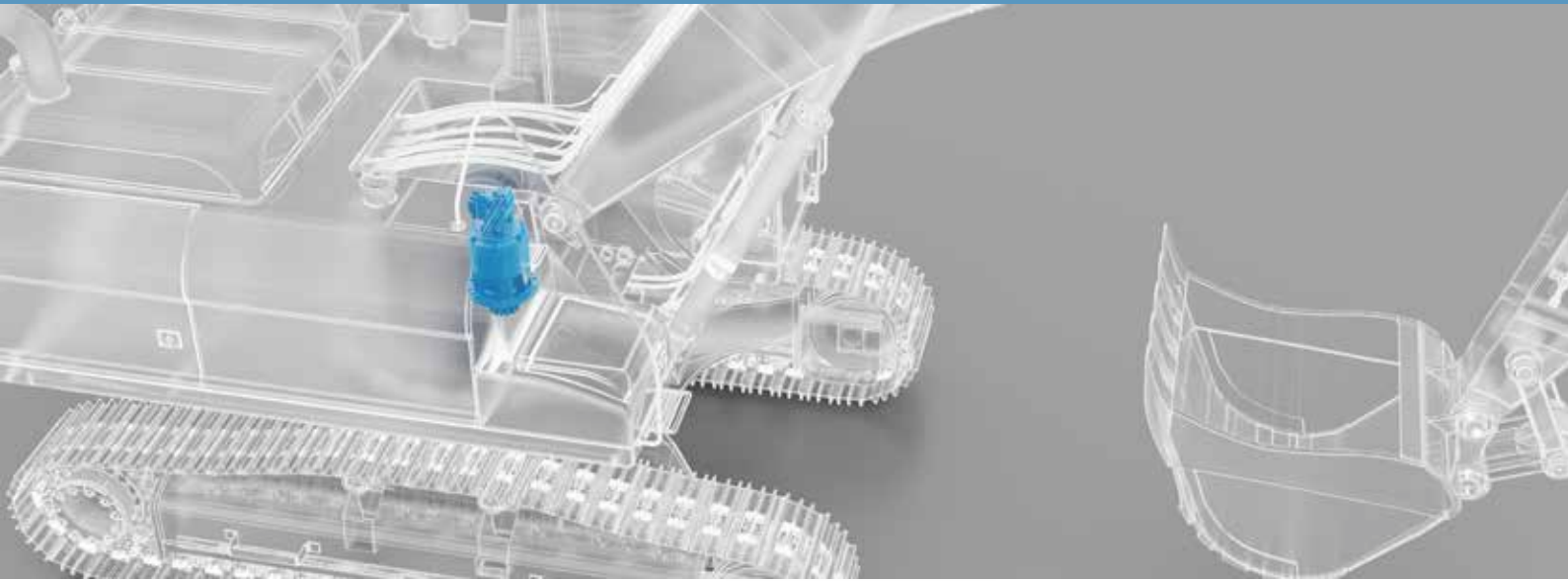
- Rugged design
- High torque & load capacity
- Integrated hydraulic motor on request

- Rotating housing
- Lifelong mechanical seals on request
- 3-7 Planetary wheels per stage
- Notchless ground tooth root
- Multiple ratios
- Integrated disc-brake

TECHNICAL DATA

Torque (Nm)	
705 C2 K	9.000
706 C3 K	18.000
707 C3 K	26.000
709 C3 K	30.000
710 C3 K	36.000
710 C2 K	40.000
713 C2 K	45.000
713 C3 K	60.000
715 C3 K	85.000
716 C3 K	100.000
718 C3 K	180.000
720 C3 K	220.000

Torque (Nm)	
F130	130.000
F180	180.000
F220	220.000
F260	260.000
F280	280.000
F340	340.000
F360	360.000
F420	420.000
F620	620.000
F800	800.000
F1100	1,100,000
F1300	1,300,000
F1800	1,800,000
F2000	2,000,000
F2200	2,200,000
F3000	3,000,000



700T & 700TK Series | 
Sleew Drives



S Series |  | 
Sleew Drives

BENEFITS

- Wide torque range
- Complete motor-gearbox available on request

- Compact structure
- High performance

FEATURES

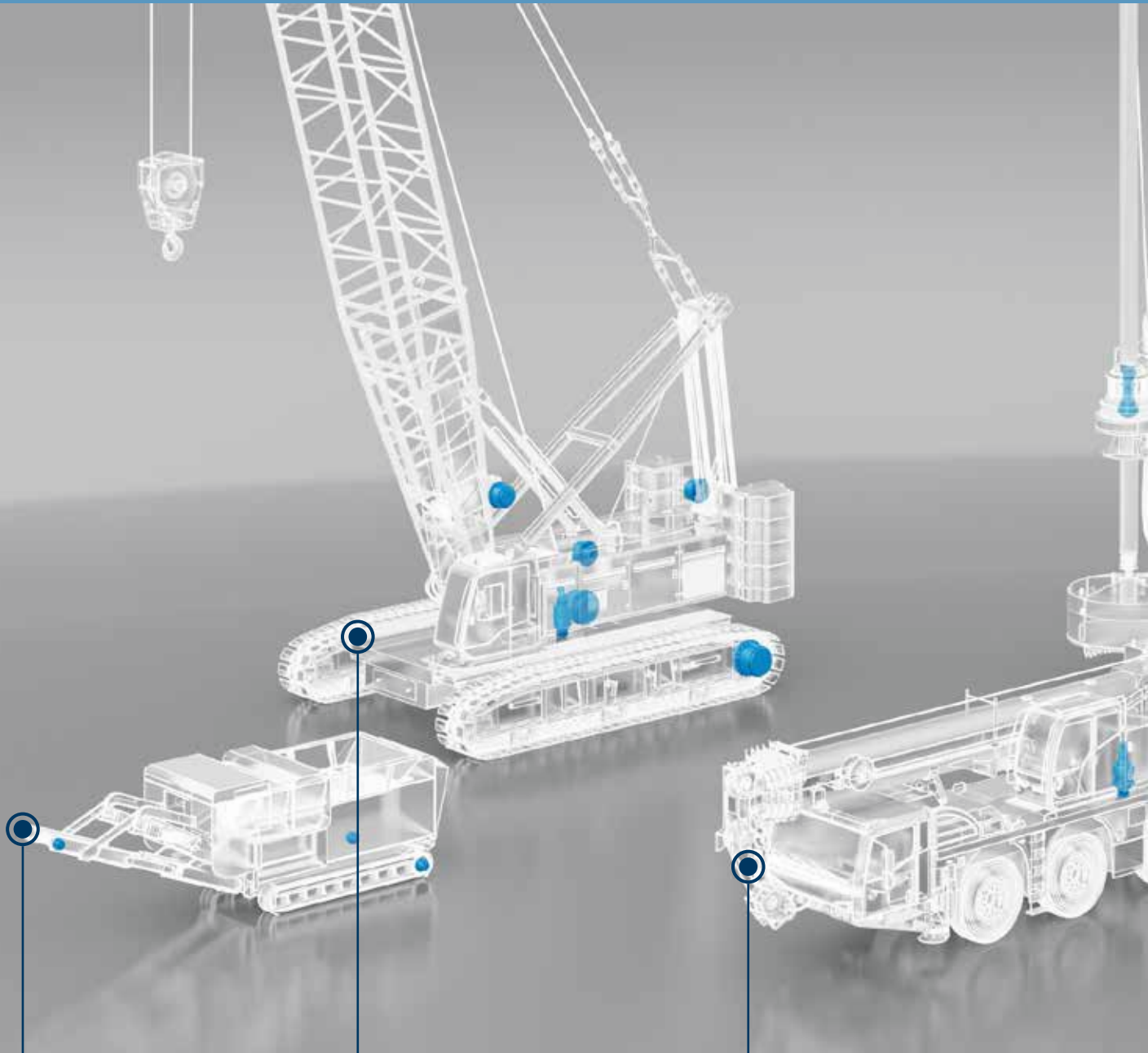
- Flange mounted
- Output shaft: splined or with integral pinion
- Integrated disc-brake

- Output shaft: splined or with integral pinion
- Rugged construction
- Notchless ground tooth root
- Integrated disc-brake

TECHNICAL DATA

Torque (Nm)		Torque (Nm)	
703 T	2.500	703 T2 K	2.000
704 T	3.600	703 T2 K	2.500
705 T	5.000	705 T2 K	5.000
706 T	7.500	706 T2 K	7.500
707 T	9.000	707 T2 F	9.000
709 T	12.000	709 T2 F	11.000
710 T	18.000	710 T2 F	15.000
711 T	20.000	711 T2 F	24.000
712 T	30.000	713 T2 F	30.000
714 T	50.000		

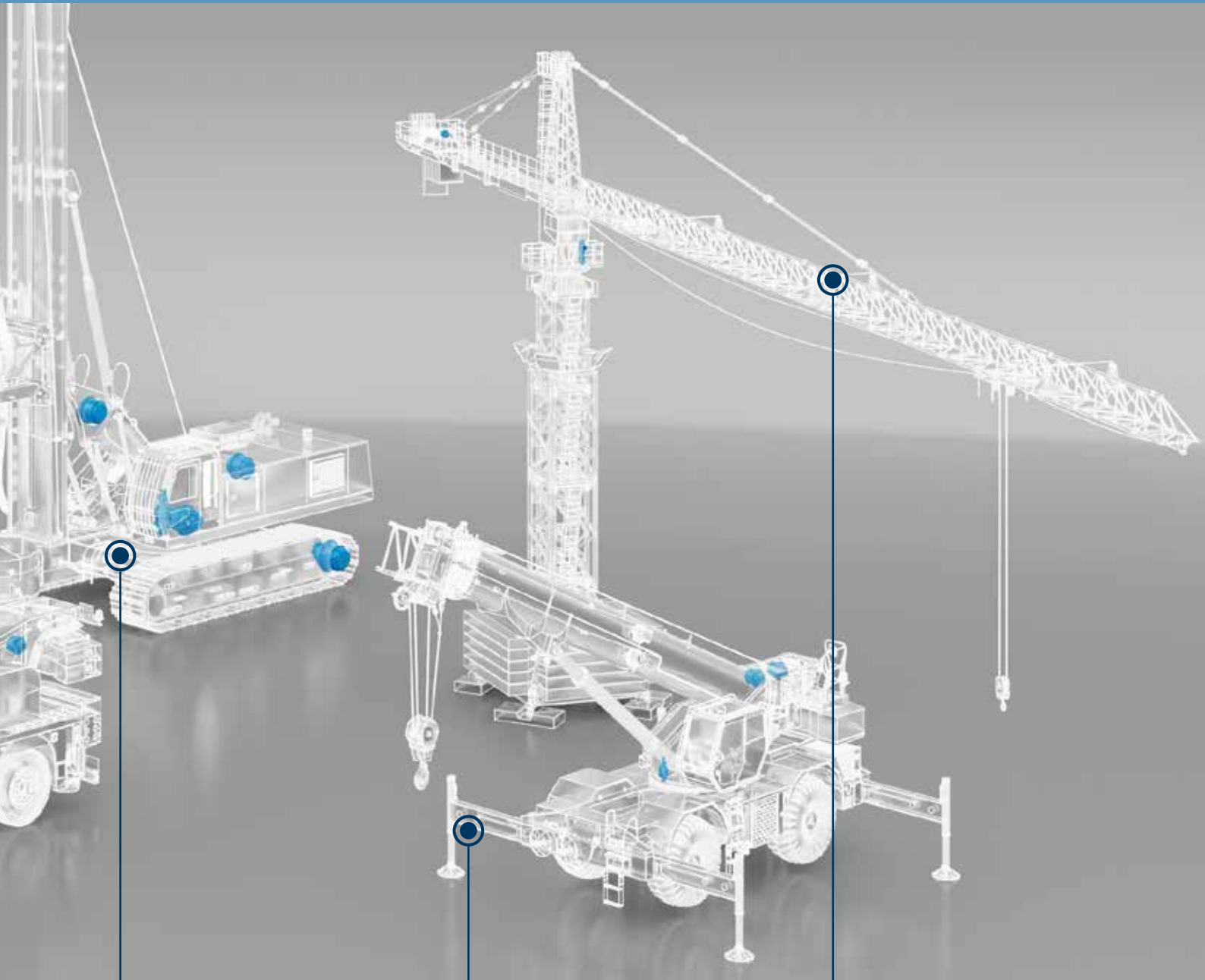
Torque (Nm)			
S5	5.000	S35	35.000
S7	7.000	S40	40.000
S10	10.000	S54	54.000
S13	13.000	S60	60.000
S20	20.000	S90	90.000
S30	30.000	S130	130.000



6 CRUSHERS & SCREENERS

4 CRAWLER CRANES

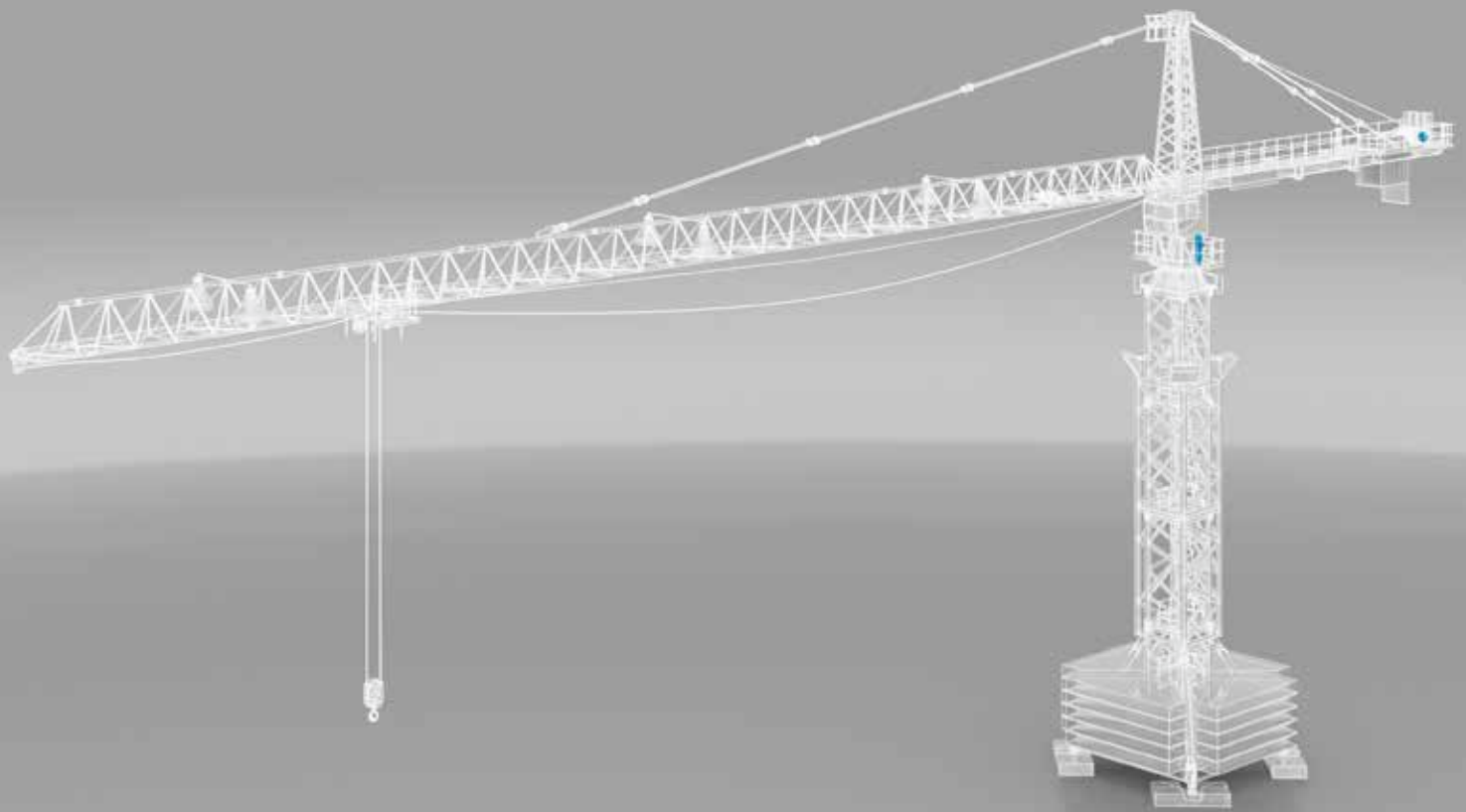
3 TRUCK-MOUNTED CRANES



5 DRILLING MACHINES

**2 ROUGH TERRAIN
CRANES**

1 BUILDING CRANES



1

BUILDING CRANES

Slew drives

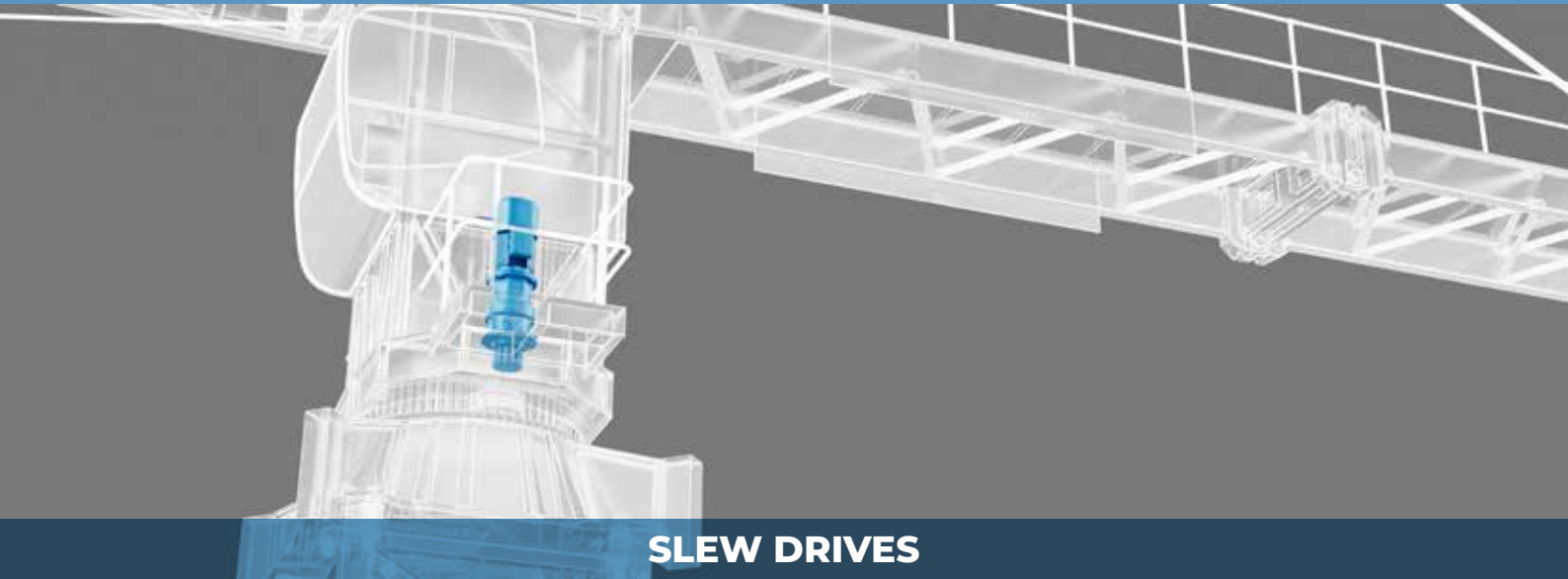
Bonfiglioli slew drives provide the safest, most effective solution for building cranes. With its long-established experience, Bonfiglioli supplies robust and reliable products that meet all customer's needs.

Winch drives

Based on specific application requirements, each winch drive for lifting or pulling cranes is developed to improve the performance and work within the small spaces available.

Trolley & lifting drives

Bonfiglioli's range of products for handling cranes assures excellent lifting and trolley performance and long life. Both the proper alignment of the cranes and the lift machinery are improved by our solutions.



SLEW DRIVES



700T Series | 
Slew drives

BENEFITS

- Wide torque range
- Complete motor-gearbox available on request

FEATURES

- Flange mounted
- Output shaft: splined or with integral pinion
- Integrated disc-brake

TECHNICAL DATA

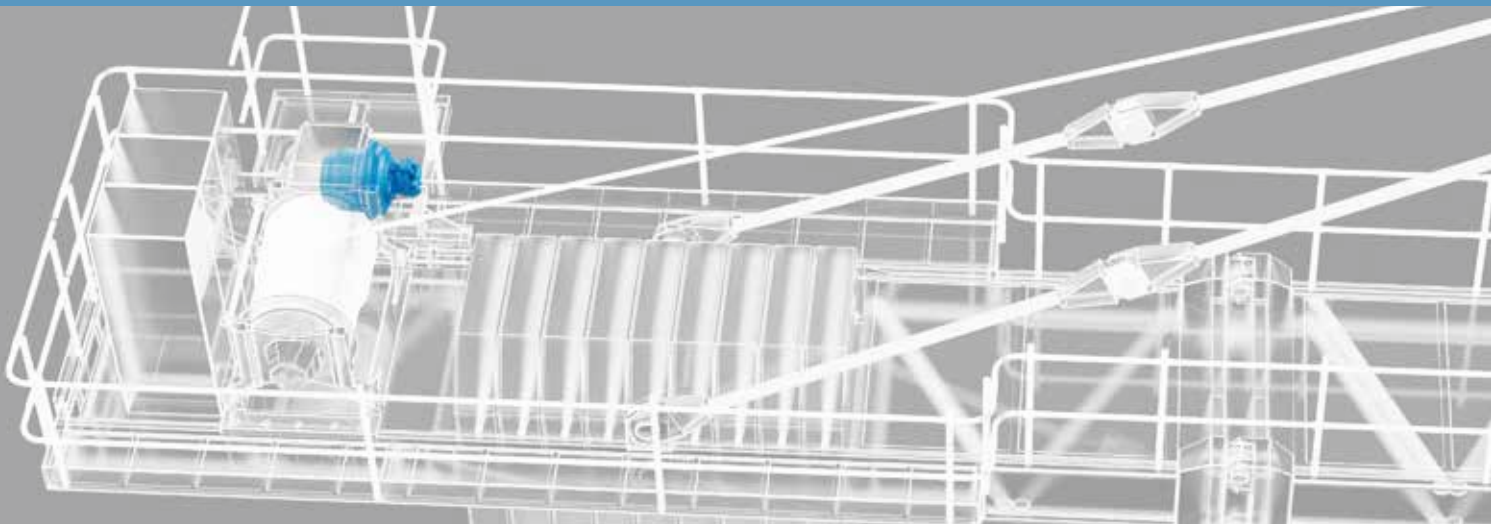
Torque (Nm)	
700 T	1.200
701 T	2.400
703 T	3.500
704 T	4.800
705 T	6.500
706 T	10.000
707 T	15.000
709 T	20.000
710 T	30.000
711 T	35.000
712 T	45.000
713 T	55.000
714 T	65.000
715 T	80.000



ACU-H Series
Inverters

- Range of operating modes
- Operation guaranteed even in extreme situations
- Reduced mechanical stress

- Power from 0.25 to 400 kW
- Specific joystick responsiveness
- Minimum use of the brake
- Operation with faulty encoder at reduced speed
- Automatic wind compensation
- Anti-sway
- Optimized start and stop ramps



WINCH DRIVES



FW Series |  | 
Winch drives



700C Series |  | 
Winch drives



ACU-H Series
Inverters

BENEFITS

- High “performance / dimension” ratio
- Robust design
- Special design available on request

- Compact design
- Designed for high-volume series applications

- Precise movements
- Work effectively at any environmental condition

FEATURES

- High torque range
- Fitting for hydraulic and electric motors
- Integrated hydraulic brake available on request
- Special paint on request
- Linear and angular input

- Fitting for hydraulic and electric motors
- Integrated hydraulic brake available on request
- Special paint on request

- Power from 0.25 to 400 kW
- Soft lifting and braking
- Specific hoisting responsiveness
- Floating load
- Load detection
- Broken cable detection

TECHNICAL DATA

Max Torque (Nm) up to

FW30	15.000
FW40	20.000
FW55	25.000
FW80	39.000
FW100	52.000
FW130	73.000
FW180	112.000
FW220	133.000
FW260	150.000
FW360	200.000

Considering FEM M5-L2-T5 @ output speed 15 rpm

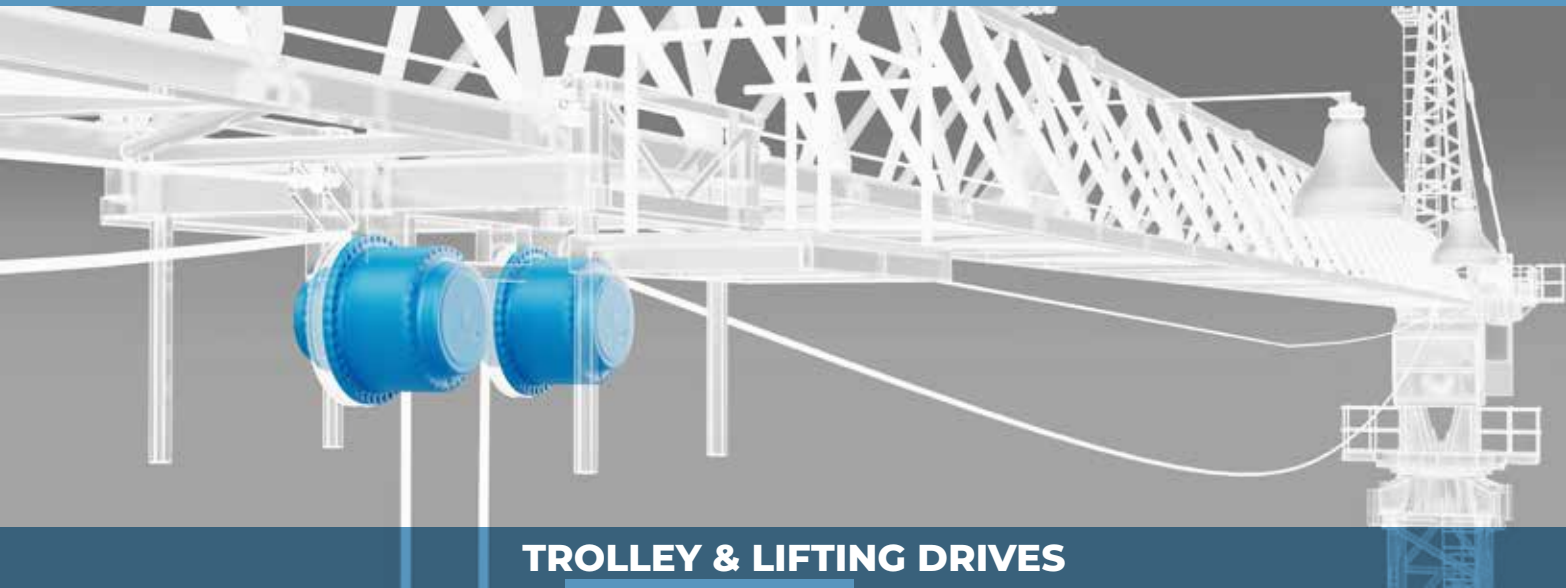
Max torque values depend on ratio and linear or angular configuration, for specific selections contact Bonfiglioli

Max Torque (Nm) up to

705 C2 H	4.800
706 C3 B	9.500
707 C3 B	19.000
709 C3 B	23.000
710C3 B	29.000
711 C3 B	32.000
713 C3 B	45.000
715 C3 B	55.000
716 C3 B	76.000
717 C3 H	95.000
718 C3 H	105.000
720 C3 H	174.000
722 C3 H	249.000

Considering FEM M5-L2-T5 @ output speed 15 rpm

Max torque values depend on ratio and linear or angular configuration, for specific selections contact Bonfiglioli



TROLLEY & LIFTING DRIVES



800 Series |  | 
Winch drives



A Series
Trolley & lifting drives



ACU-H Series
Inverters

BENEFITS

- Modular design ensures high flexibility and fast delivery using the standard components of the 300 Series

- Minimum mounting space
- Reduced installation space and wide output speed selection range
- Reduced standard backlash
- Highly dynamic, energy-saving solution
- Wide output speed selection range

- Extended motor brake lifetime

FEATURES

- Fitting for hydraulic and electric motors
- Integrated hydraulic brake available on request
- Special paint on request
- Linear and angular input

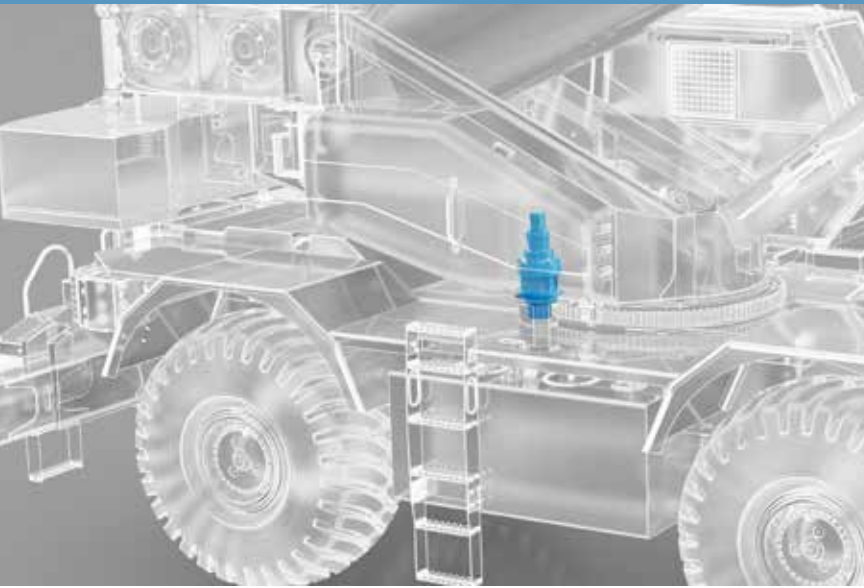
- Right-angle input-output
- Compact motor coupling
- Wide range of ratios

- Power from 0.25 to 400 kW
- Precise sensorless control

TECHNICAL DATA

Max Torque (Nm) up to	
810 W L3	30.000
813 W L3	45.000
815 W L3	58.000
818 W L3	120.000
824 W L3	285.000

Considering FEM M5-L2-T5 @ output speed 15 rpm
Max torque values depend on ratio and linear or angular configuration, for specific selections contact Bonfiglioli



2

ROUGH TERRAIN CRANES

Slew drives

Bonfiglioli slew drives are the safest, most effective solution for rough terrain cranes. Our product flexibility matches the versatility of this typical application, allowing the highest reach and the best maneuverability.

Winch drives

Based on the specific application requirements, each winch drive for rough terrain cranes is developed to improve performance in the space available.



700T Series | 
Slew Drives



S Series |  | 
Slew Drives

BENEFITS

- Wide torque range
- Complete motor-gearbox available on request
- Adaptability

FEATURES

- Flange mounted
- Output shaft: splined or with integral pinion
- Integrated disc-brake

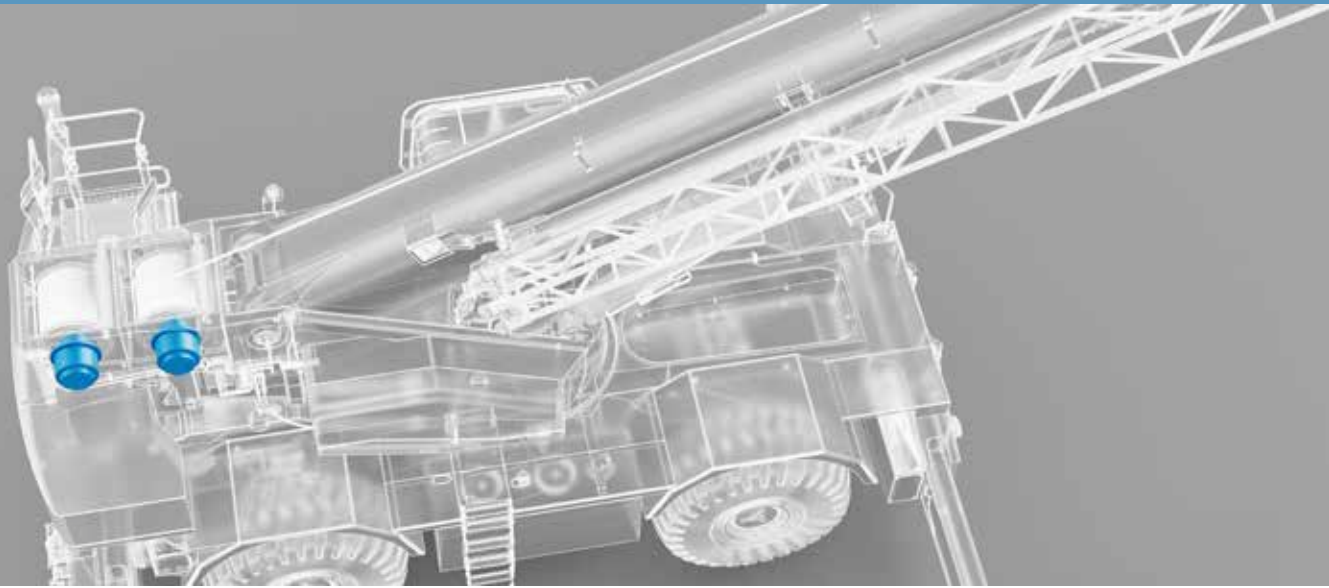
- Compact structure
- High performance
- Adaptability

- Output shaft: splined or with integral pinion
- Rugged construction
- Notchless ground tooth root
- Integrated disc-brake

TECHNICAL DATA

Torque (Nm)	
700 T	1.000
701 T	1.800
703 T	2.500
704 T	3.600
705 T	5.000
706 T	7.500
707 T	9.000
709 T	12.000
710 T	18.000
711 T	20.000

Torque (Nm)	
S5	5.000
S7	7.000
S10	10.000
S13	13.000
S20	20.000
S30	30.000
S35	35.000
S40	40.000
S54	54.000
S60	60.000
S90	90.000
S130	130.000



700C Series | |

Winch drives

BENEFITS

- Compact design
- Designed for high-volume series applications

FEATURES

- Fitting for hydraulic and electric motors
- Integrated hydraulic brake available on request
- Special paint on request

TECHNICAL DATA

Max Torque (Nm) up to

705 C2 H	4.800	715 C3 B	55.000
706 C3 B	9.500	716 C3 B	76.000
707 C3 B	19.000	717 C3 H	95.000
709 C3 B	23.000	718 C3 H	105.000
710 C3 B	29.000	720 C3 H	174.000
711 C3 B	32.000	722 C3 H	249.000
713 C3 B	45.000		

Considering FEM M5-L2-T5 @ output speed 15 rpm

Max torque values depend on ratio and linear or angular configuration, for specific selections contact Bonfiglioli



800 Series | |

Winch drives

- Modular design ensures high flexibility and fast delivery using the standard components of the 300 Series

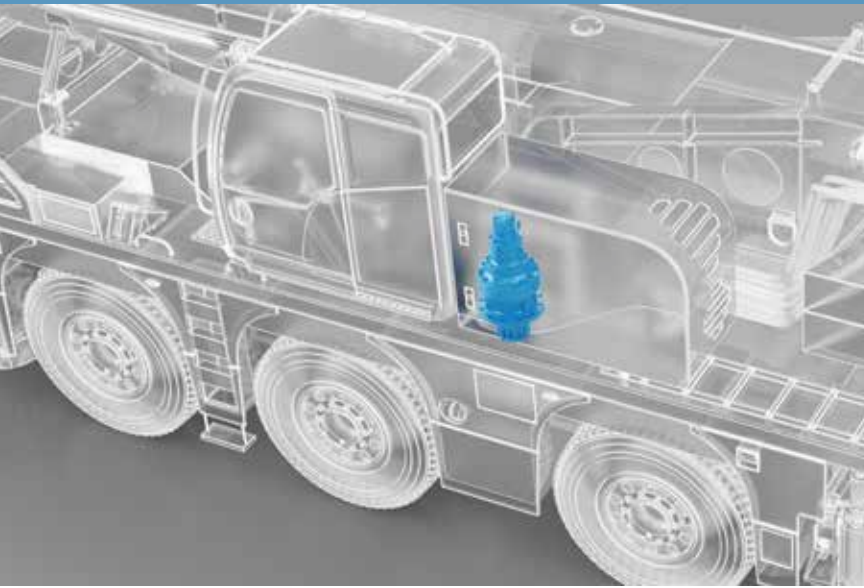
- Fitting for hydraulic and electric motors
- Integrated hydraulic brake available on request
- Special paint on request
- Linear and angular input

Max Torque (Nm) up to

810 W L3	30.000
813 W L3	45.000
815 W L3	58.000
818 W L3	120.000
824 W L3	285.000

Considering FEM M5-L2-T5 @ output speed 15 rpm

Max torque values depend on ratio and linear or angular configuration, for specific selections contact Bonfiglioli



3

TRUCK-MOUNTED CRANES

Slew drives

Bonfiglioli slew drives provide the safest, most effective solution for truck-mounted cranes. Our product flexibility matches the versatility of this typical application, allowing the highest reach and the best maneuverability.

Winch drives

Based on the specific application requirements, each lifting or pulling truck-mounted winch drive is developed to improve performance in the space available.



700T Series | 
Sleew Drives



S Series |  | 
Sleew Drives

BENEFITS

- Wide torque range
- Complete motor-gearbox available on request
- Adaptability

- Compact structure
- High performance
- Adaptability

FEATURES

- Flange mounted
- Output shaft: splined or with integral pinion
- Integrated disc-brake

- Output shaft: splined or with integral pinion
- Rugged construction
- Notchless ground tooth root
- Integrated disc-brake

TECHNICAL DATA

		Torque (Nm)	
700 T	1.000	706 T	7.500
701 T	1.800	707 T	9.000
703 T	2.500	709 T	12.000
704 T	3.600	710 T	18.000
705 T	5.000	711 T	20.000

		Torque (Nm)	
S5	5.000	S35	35.000
S7	7.000	S40	40.000
S10	10.000	S54	54.000
S13	13.000	S60	60.000
S20	20.000	S90	90.000
S30	30.000	S130	130.000



700C Series | |

Winch drives

BENEFITS

- Compact design
- Designed for high-volume series applications

FEATURES

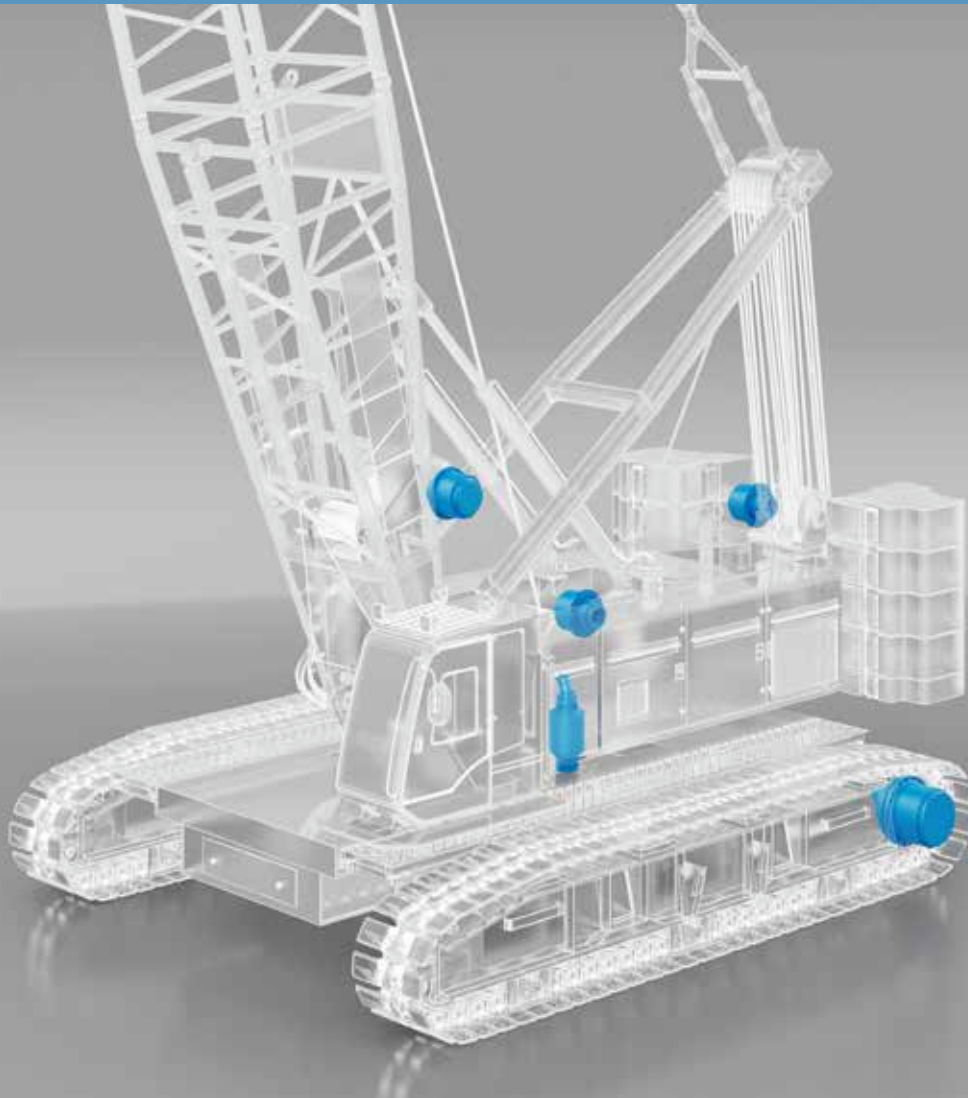
- Fitting for hydraulic and electric motors
- Integrated hydraulic brake available on request
- Special paint on request

TECHNICAL DATA

Max Torque (Nm) up to			
705 C2 H	4.800	715 C3 B	55.000
706 C3 B	9.500	716 C3 B	76.000
707 C3 B	19.000	717 C3 H	95.000
709 C3 B	23.000	718 C3 H	105.000
710 C3 B	29.000	720 C3 H	174.000
711 C3 B	32.000	722 C3 H	249.000
713 C3 B	45.000		

Considering FEM M5-L2-T5 @ output speed 15 rpm

Max torque values depend on ratio and linear or angular configuration, for specific selections contact Bonfiglioli

**4****CRAWLER CRANES****Winch Drives**

Based on the specific application requirements, each winch drive for lifting cranes is developed to improve performance and work within the small spaces available.

Slew drives

Our slew drives provide the safest, most effective solution to crawler cranes. Our product flexibility matches the versatility of this typical application, allowing the highest reach and the best maneuverability.

Track drives

With a reliable series of products, Bonfiglioli gives OEMs the best possible choice of track drive systems for crawler cranes. The reliability and robustness of this series allow the machine to withstand harsh environments and extend service life.



WINCH DRIVES



700C Series |  | 
Winch drives



FW Series |  | 
Winch drives



800 Series |  | 
Winch drives

BENEFITS

- Compact design
- Designed for high-volume series applications

- High “performance / dimension” ratio
- Robust design
- Special design available on request

- Modular design ensures high flexibility and fast delivery using the standard components of the 300 Series

FEATURES

- Fitting for hydraulic and electric motors
- Integrated hydraulic brake available on request
- Special paint on request

- High torque range
- Fitting for hydraulic and electric motors
- Integrated hydraulic brake available on request
- Special paint on request
- Linear and angular input

- Fitting for hydraulic and electric motors
- Integrated hydraulic brake available on request
- Special paint on request
- Linear and angular input

TECHNICAL DATA

Max Torque (Nm) up to

705 C2 H	4.800
706 C3 B	9.500
707 C3 B	19.000
709 C3 B	23.000
710 C3 B	29.000
711 C3 B	32.000
713 C3 B	45.000
715 C3 B	55.000
716 C3 B	76.000
717 C3 H	95.000
718 C3 H	105.000
720 C3 H	174.000
722 C3 H	249.000

Considering FEM M5-L2-T5 @ output speed 15 rpm
Max torque values depend on ratio and linear or angular configuration, for specific selections contact Bonfiglioli

Max Torque (Nm) up to

FW30	15.000
FW40	20.000
FW55	25.000
FW80	39.000
FW100	52.000
FW130	73.000
FW180	112.000
FW220	133.000
FW260	150.000
FW360	200.000

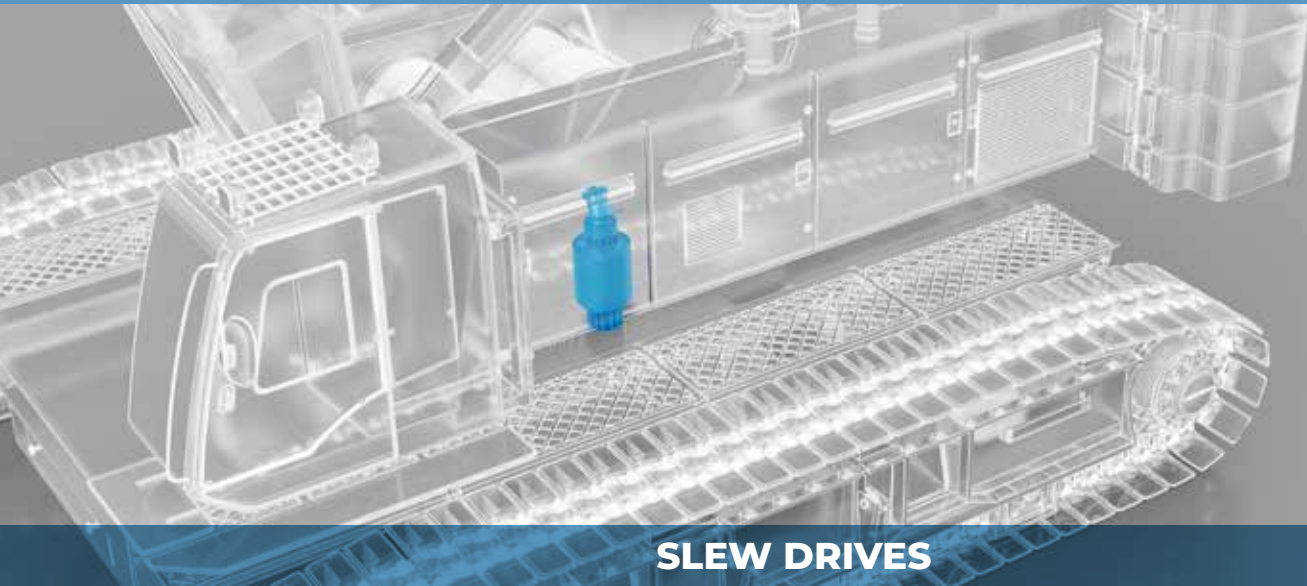
Considering FEM M5-L2-T5 @ output speed 15 rpm
Max torque values depend on ratio and linear or angular configuration, for specific selections contact Bonfiglioli

Max Torque (Nm) up to

810 W L3	30.000
813 W L3	45.000
815 W L3	58.000
818 W L3	120.000
824 W L3	285.000

Considering FEM M5-L2-T5 @ output speed 15 rpm
Max torque values depend on ratio and linear or angular configuration, for specific selections contact Bonfiglioli





SLEW DRIVES



700T Series | 
Slew Drives



S Series |  | 
Slew Drives

BENEFITS

- Wide torque range
- Complete motor-gearbox available on request

- Compact structure
- High performance

FEATURES

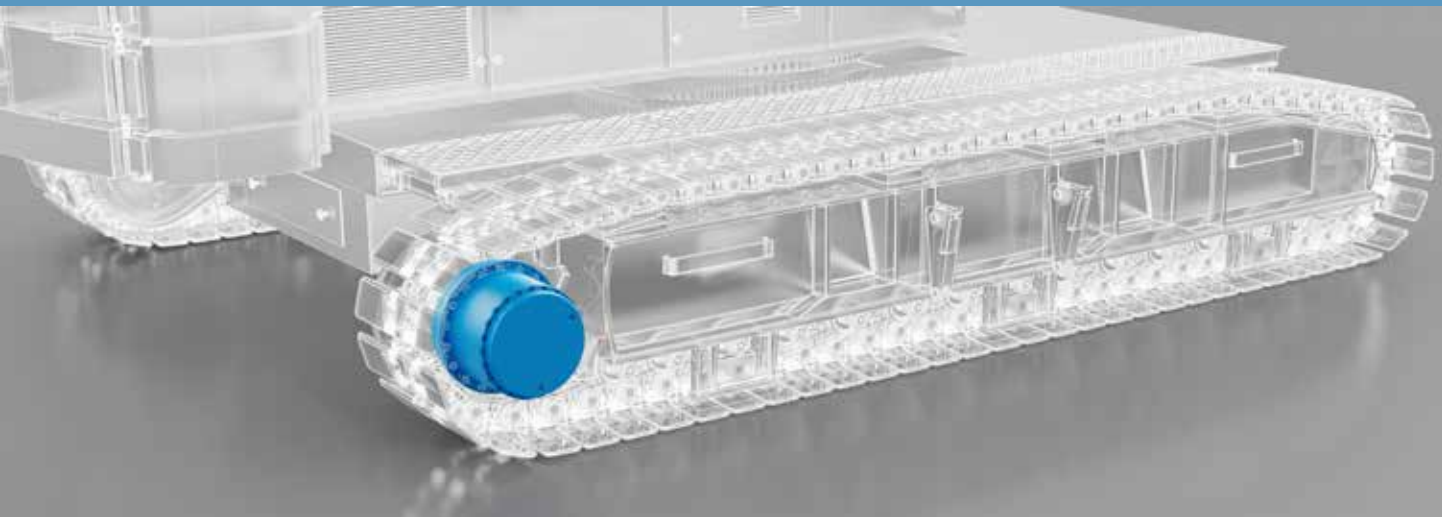
- Flange mounted
- Output shaft: splined or with integral pinion
- Integrated disc-brake

- Output shaft: splined or with integral pinion
- Rugged construction
- Notchless ground tooth root
- Integrated disc-brake

TECHNICAL DATA

Torque (Nm)	
700 T	1.000
701 T	1.800
703 T	2.500
704 T	3.600
705 T	5.000
706 T	7.500
707 T	9.000
709 T	12.000
710 T	18.000
711 T	20.000

Torque (Nm)	
S5	5.000
S7	7.000
S10	10.000
S13	13.000
S20	20.000
S30	30.000
S35	35.000
S40	40.000
S54	54.000
S60	60.000
S90	90.000
S130	130.000



TRACK DRIVES



700C Series |  | 
Track Drives



700CK Series | 
Track Drives



F Series |  | 
Track Drives

BENEFITS

- Safe & efficient solutions
- Compact design

- Compact, lightweight design
- Range of torques
- Motor-gearbox integrated solution

- Rugged design
- High torque & load capacity
- Integrated hydraulic motor on request

FEATURES

- Rotating housing
- Lifelong mechanical seals on request
- Multiple ratios
- Integrated disc-brake

- Integrated motor-gearbox powered by hydraulic motor developed with Kayaba
- Rotating housing
- Pressure relief valve (shockless type) on request
- Anti-cavitation valve on request
- Multiple ratios
- Integrated disc-brake

- Rotating housing
- Lifelong mechanical seals on request
- 3-7 Planetary wheels per stage
- Notchless ground tooth root
- Multiple ratios
- Integrated disc-brake

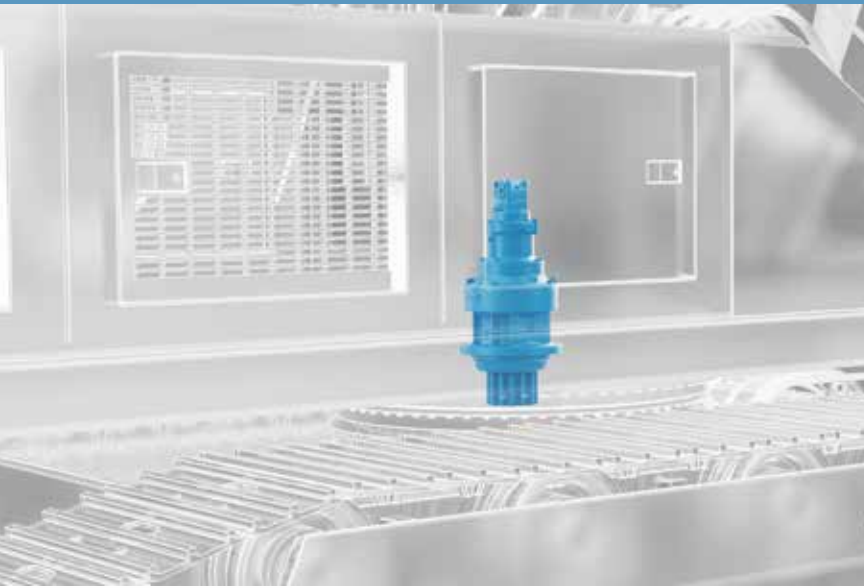
TECHNICAL DATA

	Torque (Nm)
706 C3 B	18.000
707 C3 B	26.000
709 C3 B	30.000
710 C3 B	36.000
711 C3 B	45.000
713 C3 B	60.000
715 C3 B	85.000
716 C3 B	100.000
717 C3 H	130.000
718 C3 H	180.000
720 C3 H	220.000
722 C3 H	330.000

	Torque (Nm)
700 C2 K	1.200
700-2C2 K	1.900
701 C2 K	2.500
702 C2 K	3.500
704 C2 K	5.000

	Torque (Nm)
F130	130.000
F180	180.000
F220	220.000
F260	260.000
F280	280.000
F340	340.000
F360	360.000
F420	420.000
F620	620.000
F800	800.000
F1100	1.100.000
F1300	1.300.000
F1800	1.800.000
F2000	2.000.000
F2200	2.200.000
F3000	3.000.000





5

DRILLING MACHINES

Slew drives

Reliability and high torque capabilities are the two key benefits of our slew drive applications for drilling rigs up to 400 tons.

Track drives

With a series of reliable products, Bonfiglioli gives every OEM the best possible options for choosing a track drive system. High performance, including high torque in a compact space, is one of our portfolio's key benefits.



700T Series | 
Slew Drives



S Series |  | 
Slew Drives

BENEFITS

- Wide torque range
- Complete motor-gearbox available on request

- Compact structure
- High performance

FEATURES

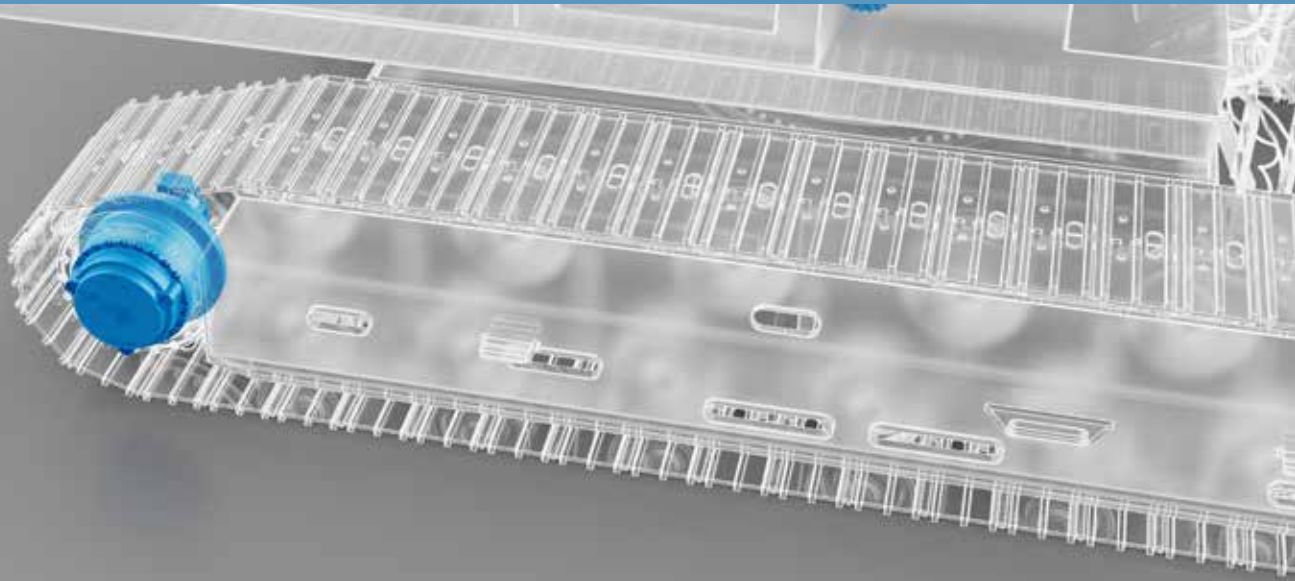
- Flange mounted
- Output shaft: splined or with integral pinion
- Integrated disc-brake

- Output shaft: splined or with integral pinion
- Rugged construction
- Notchless ground tooth root
- Integrated disc-brake

TECHNICAL DATA

Torque (Nm)	
700 T	1.000
701 T	1.800
703 T	2.500
704 T	3.600
705 T	5.000
706 T	7.500
707 T	9.000
709 T	12.000
710 T	18.000
711 T	20.000

Torque (Nm)	
S5	5.000
S7	7.000
S10	10.000
S13	13.000
S20	20.000
S30	30.000
S35	35.000
S40	40.000
S54	54.000
S60	60.000
S90	90.000
S130	130.000



700C Series |  | 
Track Drives



700CK Series | 
Track Drives



F Series |  | 
Track Drives

BENEFITS

- Safe & efficient solutions
- Compact design

- Compact, lightweight design
- Range of torques
- Motor-gearbox integrated solution

- Rugged design
- High torque & load capacity
- Integrated hydraulic motor on request

FEATURES

- Rotating housing
- Lifelong mechanical seals on request
- Multiple ratios
- Integrated disc-brake

- Integrated motor-gearbox powered by hydraulic motor developed with Kayaba
- Rotating housing
- Lifelong mechanical seals
- Pressure relief valve (shockless type) on request
- Anti-cavitation valve on request
- Multiple ratios
- Integrated disc-brake

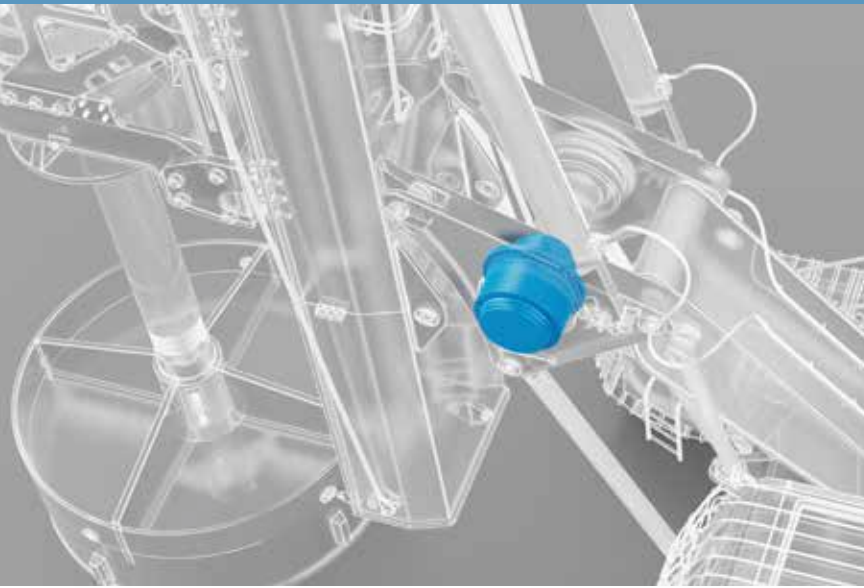
- Rotating housing
- Lifelong mechanical seals on request
- 3-7 Planetary wheels per stage
- Notchless ground tooth root
- Multiple ratios
- Integrated disc-brake

TECHNICAL DATA

	Torque (Nm)
706 C3 B	18.000
707 C3 B	26.000
709 C3 B	30.000
710 C3 B	36.000
711 C3 B	45.000
713 C3 B	60.000
715 C3 B	85.000
716 C3 B	100.000
717 C3 H	130.000
718 C3 H	180.000
720 C3 H	220.000
722 C3 H	330.000

	Torque (Nm)
705 C2 K	9.000
706 C3 K	18.000
707 C3 K	26.000
709 C3 K	30.000
710 C3 K	36.000
710 C2 K	40.000
713 C2 K	45.000
713 C3 K	60.000
715 C3 K	85.000
716 C3 K	100.000
718 C3 K	180.000
720 C3 K	220.000

	Torque (Nm)
F130	130.000
F180	180.000
F220	220.000
F260	260.000
F280	280.000
F340	340.000
F360	360.000
F420	420.000



Winch drives

Bonfiglioli can supply a huge range of winch drives according to the various OEM requests for drilling rigs.



700C Series |  | 
Winch drives



FW Series |  | 
Winch drives



800 Series |  | 
Winch drives

BENEFITS

- Compact design
- Designed for high-volume series applications

- High “performance / dimension” ratio
- Robust design
- Special design available on request

- Modular design ensures high flexibility and fast delivery using the standard components of the 300 Series

FEATURES

- Fitting for hydraulic and electric motors
- Integrated hydraulic brake available on request
- Special paint on request

- High torque range
- Fitting for hydraulic and electric motors
- Integrated hydraulic brake available on request
- Special paint on request
- Linear and angular input

- Fitting for hydraulic and electric motors
- Integrated hydraulic brake available on request
- Special paint on request
- Linear and angular input

TECHNICAL DATA

Max Torque (Nm) up to

705 C2 H	4.800
706 C3 B	9.500
707 C3 B	19.000
709 C3 B	23.000
710 C3 B	29.000
711 C3 B	32.000
713 C3 B	45.000
715 C3 B	55.000
716 C3 B	76.000
717 C3 H	95.000
718 C3 H	105.000
720 C3 H	174.000
722 C3 H	249.000

Considering FEM M5-L2-T5 @ output speed 15 rpm
Max torque values depend on ratio and linear or angular configuration, for specific selections contact Bonfiglioli

Max Torque (Nm) up to

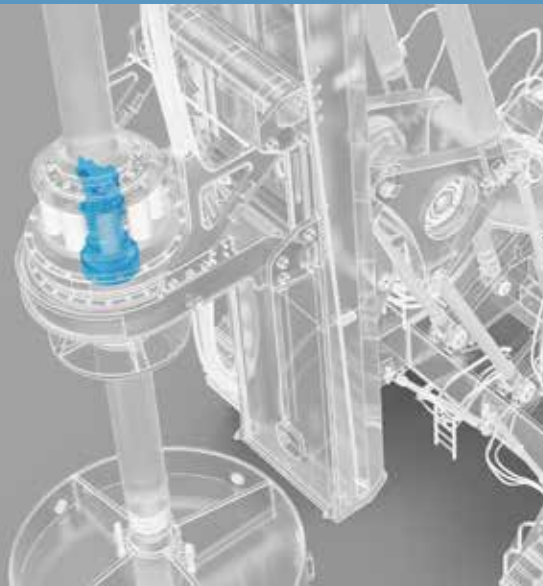
FW30	15.000
FW40	20.000
FW55	25.000
FW80	39.000
FW100	52.000
FW130	73.000
FW180	112.000
FW220	133.000
FW260	150.000
FW360	200.000

Considering FEM M5-L2-T5 @ output speed 15 rpm
Max torque values depend on ratio and linear or angular configuration, for specific selections contact Bonfiglioli

Max Torque (Nm) up to

810 W L3	30.000
813 W L3	45.000
815 W L3	58.000
818 W L3	120.000
824 W L3	285.000

Considering FEM M5-L2-T5 @ output speed 15 rpm
Max torque values depend on ratio and linear or angular configuration, for specific selections contact Bonfiglioli



Rotary head drives

Supplying the necessary power to the drilling machine, rotary head drives ensure greater efficiency and resistance for long work times.



300 Series |

Multipurpose planetary drives

BENEFITS

- Wide torque range
- Huge range of configurations
- Compact and powerful
- Resistant to shock loads
- High versatility

FEATURES

- Prearrangement for various hydraulic motors
- High oil volume capacity for thermal power dissipation

TECHNICAL DATA

Torque (Nm)			
306	8.500	311	40.000
307	12.500	313	55.000
309	18.000	314	80.000
310	25.000	315	100.000

6

CRUSHERS & SCREENERS

Track drives

With a series of reliable products for crushing equipment, Bonfiglioli gives OEMs the best possible choice of a track drive system. High performance, including high torque in a compact space, is one of our portfolio's key benefits. These solutions ensure smooth machine operation and long product life.

Conveyor drives

The performance of Bonfiglioli conveyor drives eliminates maintenance-intensive gearboxes, increasing reliability and cost savings.



700C Series |  | 
Track Drives



700CE Series | 
Track Drives

BENEFITS

- Safe & efficient solutions
- Compact design

Benefits for OEMs

- Ability to downsize and downspeed combustion engines
- Easy installation: electric solution dimensions comparable to standard hydrostatics
- Greater system reliability: fewer mechanical parts
- Virtually maintenance-free electric motors

- From sprocket to electric wire with only one supplier

Benefits for end-users

- Reduced fuel consumption
- Increased productivity
- Better machine maneuverability
- The electric solution is cleaner: lower risk of oil spills

FEATURES

- Rotating housing
- Lifelong mechanical seals on request
- Multiple ratios
- Integrated disc-brake

- Gear ratios up to 166
- Input speed up to 6,000 rpm
- Multistage planetary gearbox
- Rotating housing output
- Validated in the field

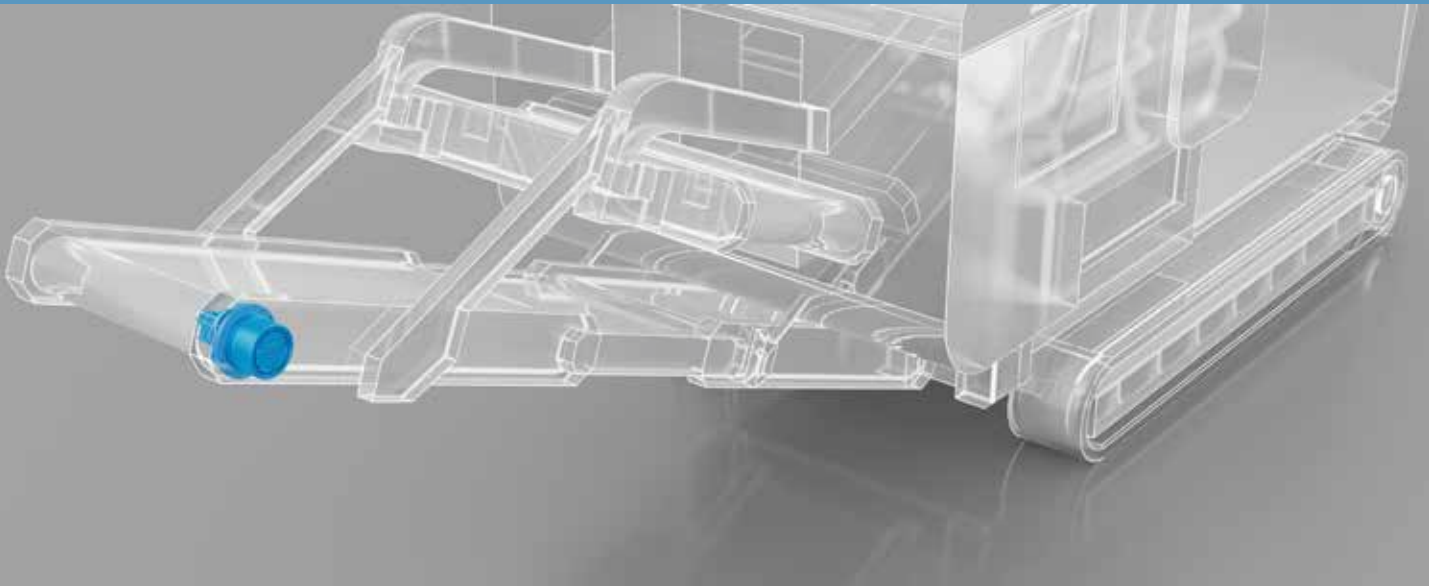
- Permanent magnet motors
- Suitable for 400 - 700Vdc batteries
- Liquid-cooled
- Aluminum or cast iron housing
- Protection rating >IP54

TECHNICAL DATA

	Torque (Nm)
706 C3 B	18.000
707 C3 B	26.000
709 C3 B	30.000
710 C3 B	36.000
711 C3 B	45.000
713 C3 B	60.000
715 C3 B	85.000
716 C3 B	100.000
717 C3 H	130.000
718 C3 H	180.000
720 C3 H	220.000
722 C3 H	330.000

	Torque (Nm)
707 CE	26.000
709 CE	30.000
710 CE	36.000
711 CE	45.000
713 CE	60.000

	Rated power (kW)
BPM 240-L1	20
BPM 240-L2	35
BPM 240-L3	65
BPM 300-L1	100
BPM 300-L2	150



F Series |  | 
Track Drives



800 Series | 
Conveyor Drives

BENEFITS

- Rugged design
- High torque & load capacity
- Integrated hydraulic motor on request

- High torque capacity
- High load capacity

FEATURES

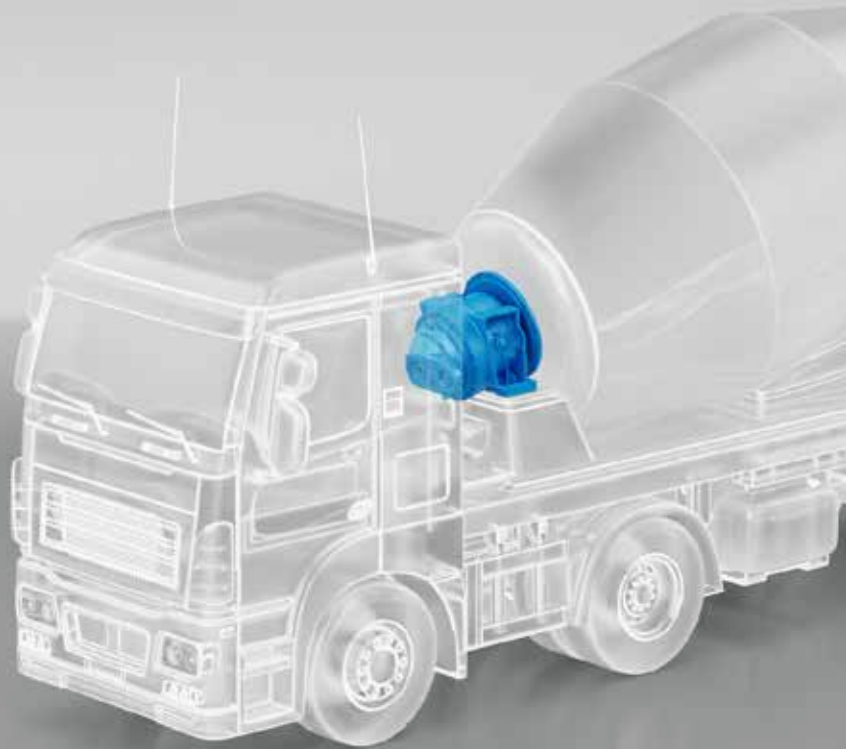
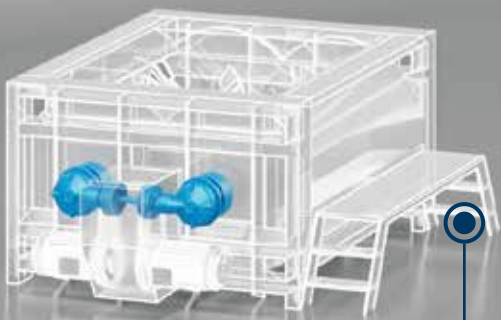
- Rotating housing
- Lifelong mechanical seals on request
- 3-7 Planetary wheels per stage
- Notchless ground tooth root
- Multiple ratios
- Integrated disc-brake

- Rotating housing flange
- Optional freewheel for anti-runback device

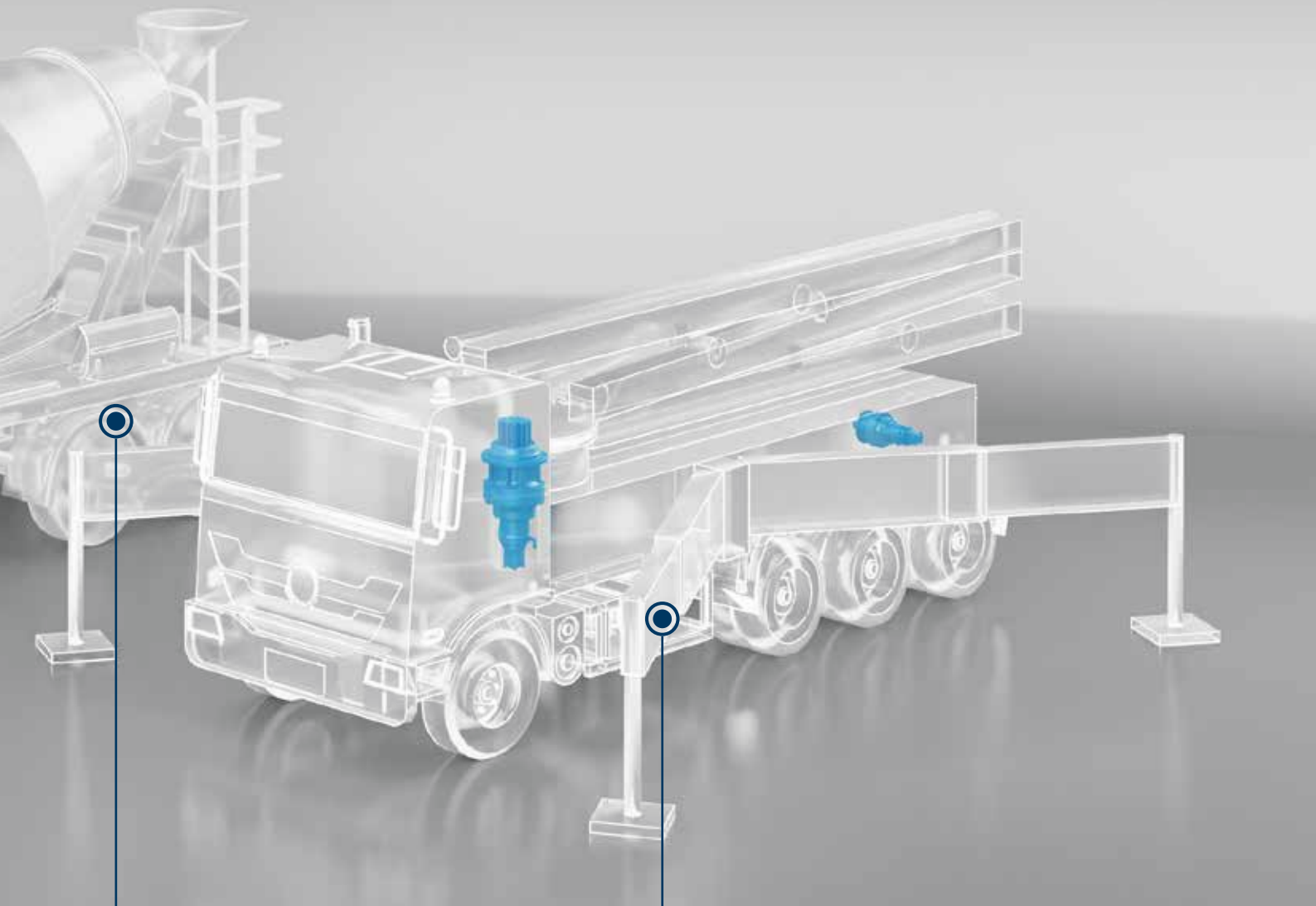
TECHNICAL DATA

	Torque (Nm)
F130	130.000
F180	180.000
F220	220.000
F260	260.000
F280	280.000
F340	340.000
F360	360.000

	Torque (Nm)
805 W2	5.000
806 W2	10.000

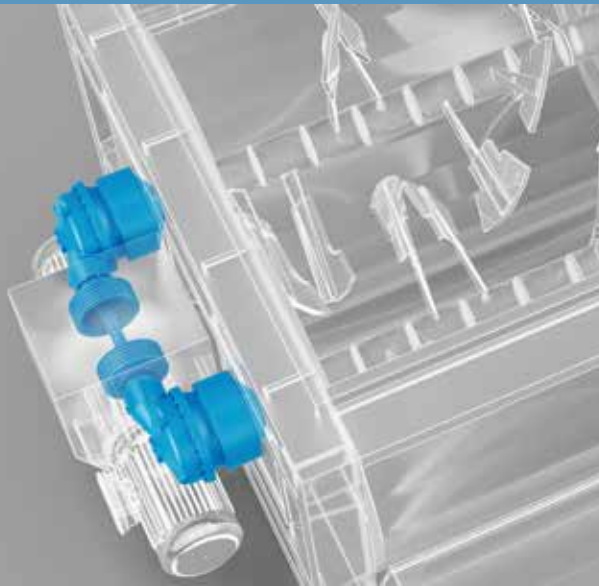


1 CONCRETE MIXERS



3 TRANSIT MIXER TRUCKS

2 TRUCK-MOUNTED CONCRETE PUMPS



1

CONCRETE MIXERS

Mixer drives

Bonfiglioli's highly versatile solutions fit these heavy-duty applications excellently, helping the machines to deliver optimal mixing results.



300 Series |

Planetary gearbox and geared motor

BENEFITS

- Modular design ensures high flexibility and fast delivery
- Huge range of configurations

FEATURES

- Fitting for hydraulic and electric motors
- Integrated hydraulic brake available on request
- Special paint on request
- Linear and angular input

TECHNICAL DATA

	Torque (Nm)	
306		8.500
307		12.500
309		18.000
310		25.000
311		40.000
313		55.000
314		80.000
315		100.000
316		134.000



HDO Series |

Helical Bevel Heavy Duty Gear Units

- Highly transmissible power
- Robustness
- Mounting flexibility
- Reliability
- Usable in explosive environments

- Spheroidal cast iron housing
- I/O shaft planarity and gearbox symmetry
- Wide range of options and accessories
- High design standards
- Atex - gearbox for explosive environments 2G/2D

	Torque (Nm)	
100		28.210
110		31.790
120		41.250
125		49.240
130		69.570
140		87.060
150		117.800
160		147.070
170		190.190
180		209.900



Active Cube Series

Premium Inverters

- Compact design
- Cost-saving
- Plug & play solution
- Standard cooling and optional water-cooling
- Tropicalized for harsh environments

- Power from 0.25 to 400 kW
- Keypad for easy setup, commissioning, parameterization, copy function and diagnosis
- Interface for communication with PC
- Field bus communication: I/O Extension
- Encoder & feedback evaluation
- PC software

2

TRUCK-MOUNTED CONCRETE PUMPS

Slew drives

Bonfiglioli slew drives provide the safest, most effective solution for truck-mounted concrete pumps. Our product flexibility matches the versatility of this typical application, allowing the highest reach and the best maneuverability.



700T Series |

Slew Drives

BENEFITS

- Wide torque range
- Complete motor-gearbox available on request

FEATURES

- Flange mounted
- Output shaft: splined or with integral pinion
- Integrated disc-brake

TECHNICAL DATA

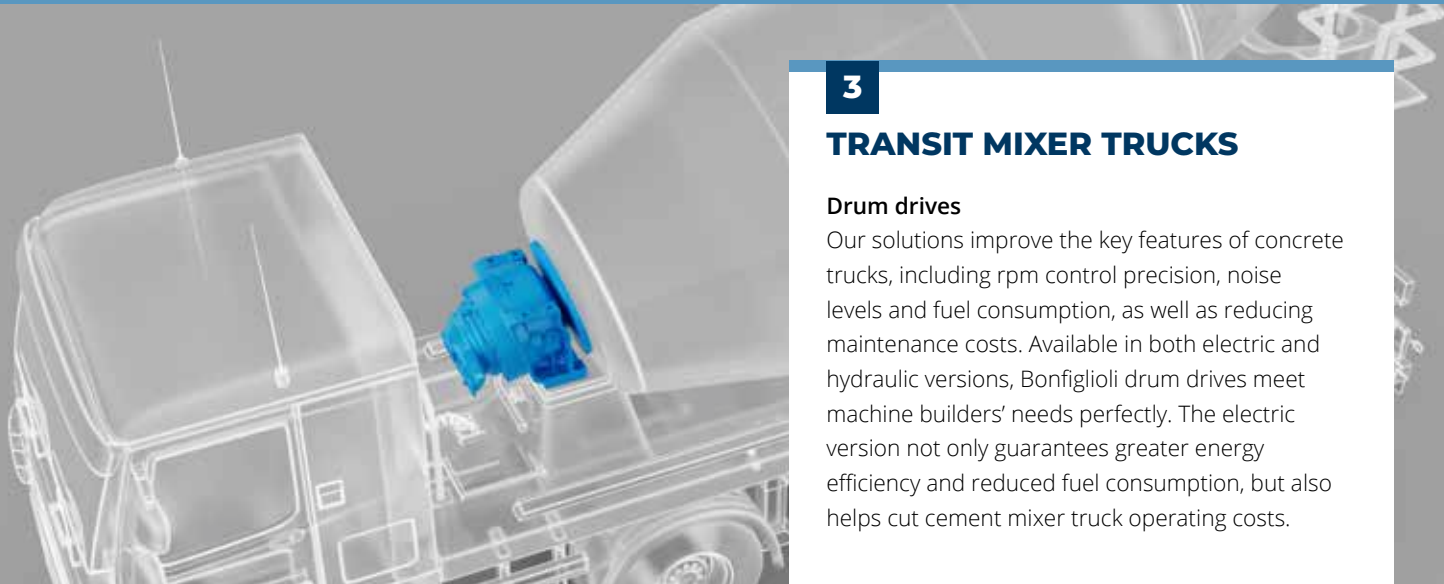
		Torque (Nm)	
700 T	1.000	706 T	7.500
701 T	1.800	707 T	9.000
703 T	2.500	709 T	12.000
704 T	3.600	710 T	18.000
705 T	5.000	711 T	20.000

3

TRANSIT MIXER TRUCKS

Drum drives

Our solutions improve the key features of concrete trucks, including rpm control precision, noise levels and fuel consumption, as well as reducing maintenance costs. Available in both electric and hydraulic versions, Bonfiglioli drum drives meet machine builders' needs perfectly. The electric version not only guarantees greater energy efficiency and reduced fuel consumption, but also helps cut cement mixer truck operating costs.



500 Series | 
Drum drives



500 Series | 
Drum drives

BENEFITS

- High torque capacity
- High load capacity
- Rugged design

- Enhanced operational reliability
- Reduced maintenance costs
- Increased energy efficiency and low fuel consumption
- Low operating noise levels

FEATURES

- Rotating housing flange
- Tilting output flange, evenly in all directions
- Mounting frame for water flange on request
- Water pump P.T.O. on request
- Speed sensor on request

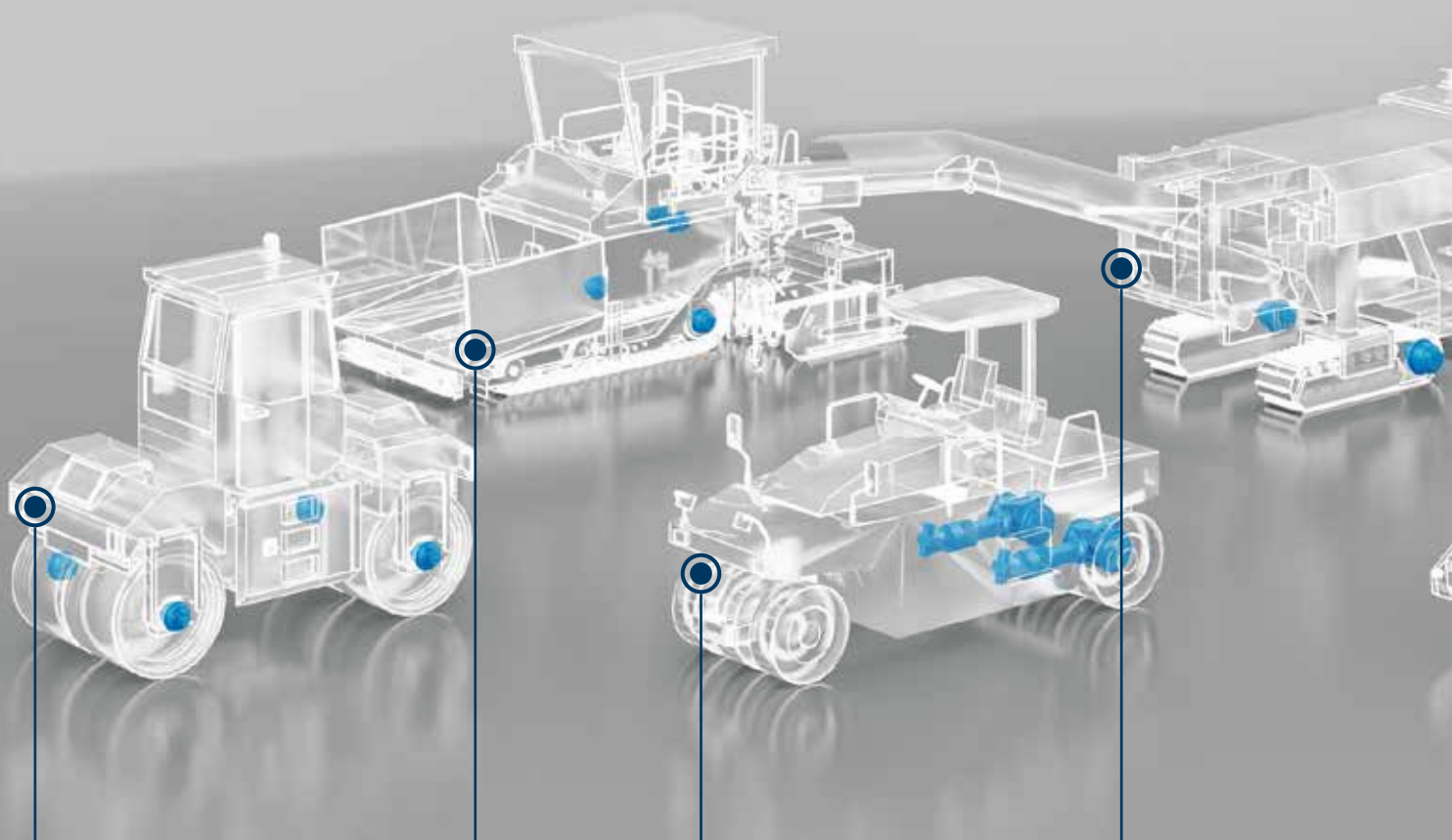
- Gear ratio optimized for high efficiency electric motors
- Accurate rotation speed control
- Gear profile optimized for low noise

TECHNICAL DATA

	Torque (Nm)
501	3.000
564	12.000
565	12.000
567	20.000
568	20.000
575	50.000
577	60.000
580	75.000

	Torque (Nm)
575	50.000
577	60.000
580	75.000



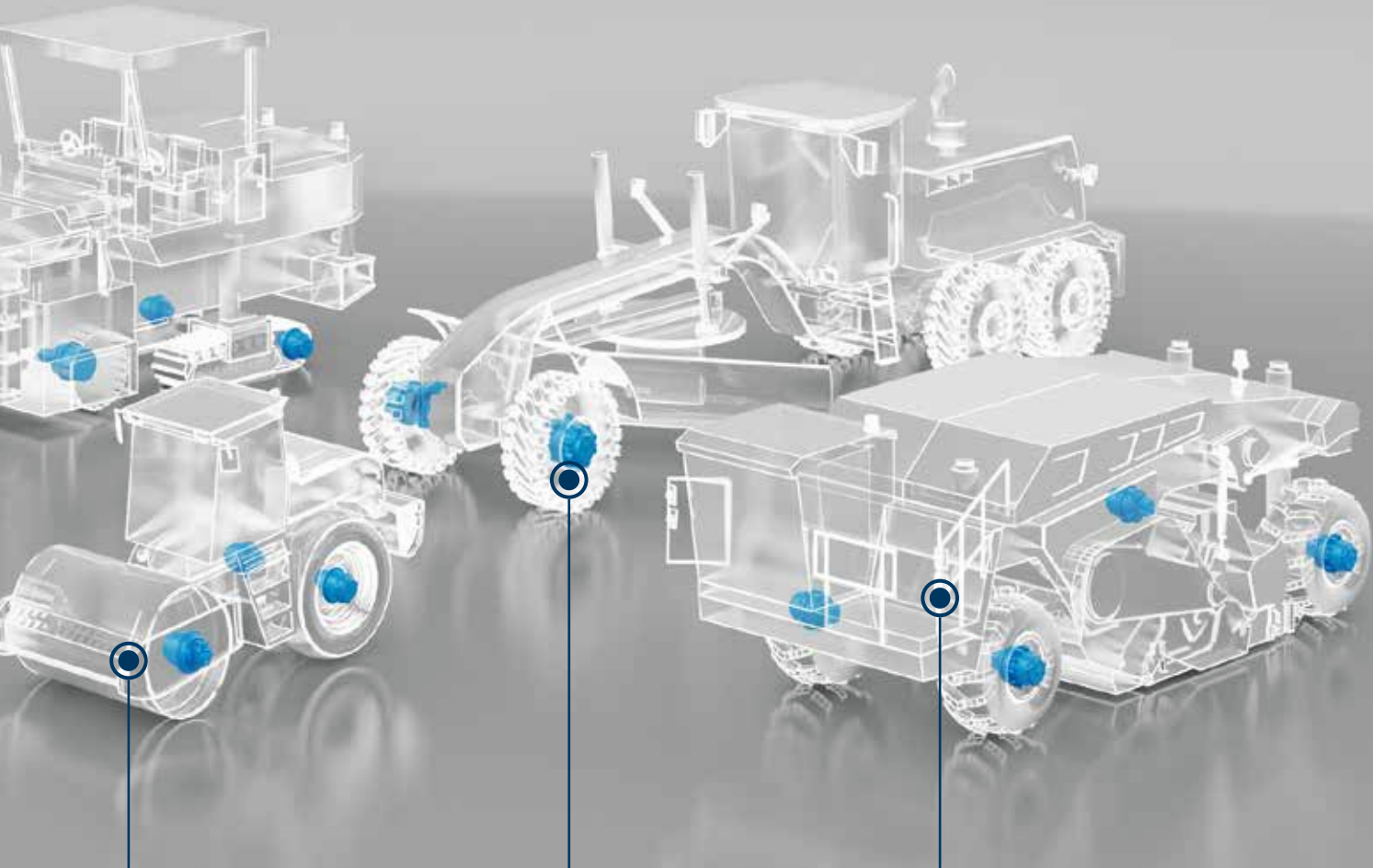


6 TANDEM VIBRATORY ROLLERS

1 PAVERS

5 PNEUMATIC TIRED ROLLERS

7 COLD MILLING MACHINES



3 SOIL COMPACTORS

4 GRADERS

2 ROAD RECLAIMERS



1

PAVERS

Track drives

For any tracked paving machine, no matter how big or small, there is a suitable travel drive in the Bonfiglioli range, allowing the machine to move smoothly backwards and forwards. Hydraulic units are available with a fail-safe parking brake and most have a cartridge-type fixed or variable displacement hydraulic motor.



700C Series |  | 
Track Drives



F Series |  | 
Track Drives

BENEFITS

- Compact design
- Designed for high-volume series applications

- Rugged design
- High torque & load capacity
- Integrated hydraulic motor on request

FEATURES

- Fitting for hydraulic and electric motors
- Integrated hydraulic brake available on request

- Rotating housing
- Lifelong mechanical seals on request
- 3-7 Planetary wheels per stage
- Notchless ground tooth root
- Multiple ratios
- Integrated disc-brake

TECHNICAL DATA

Torque (Nm)

705C2H	4.800	715C3B	55.000
706C3B	9.500	716C3B	76.000
707C3B	19.000	717C3H	95.000
709C3B	23.000	718C3H	105.000
710C3B	29.000	720C3H	174.000
711C3B	32.000	722C3H	249.000
713C3B	45.000		

Torque (Nm)

F13A	13.000
FD20	20.000
F30	30.000
F40	40.000
F55	55.000
F80	80.000
F100	100.000



700CE Series | 
Track Drives

BENEFITS

Benefits for OEMs

- Ability to downsize and downspeed combustion engines
- Easy installation: electric solution dimensions comparable to standard hydrostatics
- Greater system reliability: fewer mechanical parts
- Virtually maintenance-free electric motors
- From sprocket to electric wire with only one supplier

Benefits for end-users

- Reduced fuel consumption
- Increased productivity
- Better machine maneuverability
- The electric solution is cleaner: lower risk of oil spills

FEATURES

Gearbox

- Gear ratios up to 166
- Input speed up to 6,000 rpm
- Multistage planetary gearbox
- Rotating housing output
- Validated in the field

E-motor

- Permanent magnet motors
- Suitable for 400 - 700Vdc batteries
- Liquid-cooled
- Aluminum or cast iron housing
- Protection rating >IP54

TECHNICAL DATA

Torque (Nm)

707 CE	26.000
709 CE	30.000
710 CE	36.000
711 CE	45.000
713 CE	60.000

Rated power (kW)

BPM 240-L1	20
BPM 240-L2	35
BPM 240-L3	65
BPM 300-L1	100
BPM 300-L2	150



Wheel and track drives

Bonfiglioli produces a series of reliable drives to offer paving machine builders a selection of quality drive systems. Our entire portfolio boasts top-level performances, including high torque in a compact space with limited axial dimensions. The electric version has fixed ratio or hydraulic-operated shift.



600W Series | 
Wheel Drives



600W2/3 Series | 
Wheel Drives

BENEFITS

Benefits for OEMs

- Ability to downsize and downspeed combustion engines
- Easy installation: electric solution dimensions comparable to standard hydrostatics
- Greater system reliability: fewer mechanical parts
- Virtually maintenance-free electric motors

- From wheel bolt to electric wire with only one supplier

Benefits for end users

- Reduced fuel consumption
- Increased productivity
- Better machine maneuverability
- The electric solution is cleaner: lower risk of oil spills

- High torque capacity
- Rugged design

FEATURES

Gearbox

- Multistage planetary gearbox
- Rotating housing output
- Validated in the field

E-motor

- Permanent magnet motors
- Suitable for 400 - 700Vdc batteries
- Liquid-cooled
- Aluminum or cast iron housing
- Protection rating >IP54

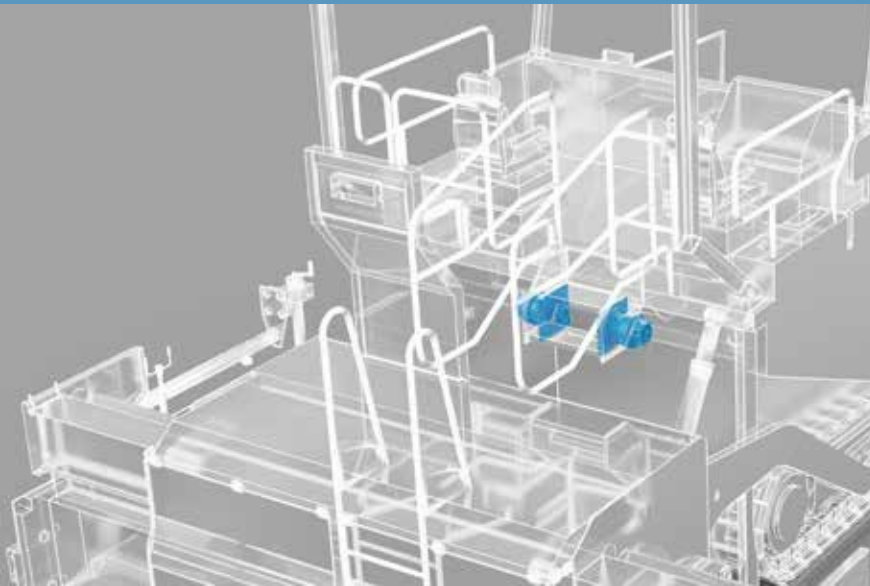
- Rotating housing flange with studs to fit wheels and drums
- Optional mechanical gear disengagement on request

TECHNICAL DATA

	Torque (Nm)
605 W..V..	10.000
606 W..V	17.000
607 W..V	22.000
609 W..V	30.000
610 W..V	36.000
610 X	40.000
611 W..V	45.000
613 W	60.000

	Rated power (kW)
BPM 240-L1	20
BPM 240-L2	35
BPM 240-L3	65
BPM 300-L1	100
BPM 300-L2	150

	Torque (Nm)
606W2/3	15.000
610W2/3	40.000
611W2/3	50.000



Auger drives

Bonfiglioli supplies a specific solution for distribution augers that push asphalt outward to the desired width. Resistant to heavy loads, the range of products can withstand long working hours.



300 Series Mobile | 
Auger drives

BENEFITS

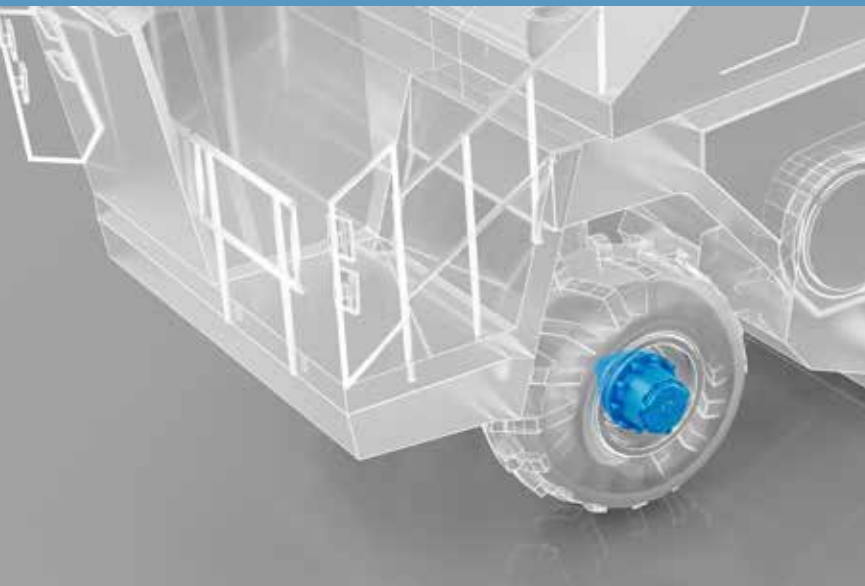
- Modular design ensures high flexibility and fast delivery
- Huge range of configurations

FEATURES

- Fitting for hydraulic and electric motors
- Integrated hydraulic brake available on request

TECHNICAL DATA

	Torque (Nm)
300	1.000
301	1.750
303	2.500
304	3.600
305	5.000
306	8.500
307	12.500
309	18.000



2

ROAD RECLAIMERS

Wheel drives

With a reliable series of products for road reclaimers and graders, Bonfiglioli gives machine builders the best possible choice of drive systems. High performance, including high torque in a compact space with limited axial dimensions, is one of our portfolio's key benefits. These solutions include an optional disengagement device for towing the machine in an emergency.



600 Series |

Wheel drives

BENEFITS

- High torque capacity
- Rugged design

FEATURES

- Rotating housing flange with studs to fit wheels and drums
- Optional mechanical gear disengagement on request

TECHNICAL DATA

	Torque (Nm)
610 W	30.000
611 W	45.000
613 W	60.000



3

SOIL COMPACTORS

Wheel drives

High performance, including high torque in a compact space with limited axial dimensions, is one of our portfolio's key benefits.

Drum drives

Extreme compactness, light weight, efficiency and smooth operation are the key features of Bonfiglioli travel drives for soil compactor machines.



600 Series | 
Wheel drives



700C Series |  | 
Wheel drives



F Series |  | 
Drum drives

BENEFITS

- High torque capacity
- Rugged design

- Safe & efficient solutions
- Compact design

- Rugged design
- High torque & load capacity
- Integrated hydraulic motor on request

FEATURES

- Rotating housing flange with studs to fit wheels and drums
- Optional mechanical gear disengagement on request

- Rotating housing
- Multiple ratios
- Integrated disc-brake

- Rotating housing
- Lifelong mechanical seals on request
- 3-7 Planetary wheels per stage
- Notchless ground tooth root
- Multiple ratios
- Integrated disc-brake

TECHNICAL DATA

Torque (Nm)	
603 W	4.000
605 W	7.000
606 W	12.000
607 W	17.000
609 W	23.000

Torque (Nm)	
706 C	18.000
707 C	26.000
709 C	30.000
710 C	36.000
711 C	45.000
713 C	60.000

Torque (Nm)	
F13A	13.000
FD20	20.000
F30	30.000
F40	40.000
F55	55.000
F80	80.000
F100	100.000





4

GRADERS

Wheel drives

High performance, including high torque in a compact space with limited axial dimensions, is one of our portfolio's key benefits. These solutions include an optional disengagement device for towing the machine in an emergency.



600 Series |

Wheel drives

BENEFITS

- Customized & compact design
- Resistant
- High performance

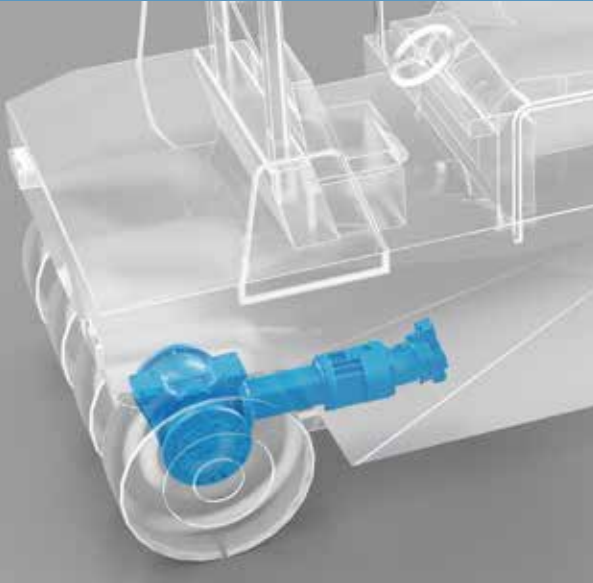
FEATURES

- High-speed clutch device

TECHNICAL DATA

Torque (Nm)

606 W2	15.000
--------	--------



5

PNEUMATIC TIRED ROLLERS

Wheel drives

With a series of reliable products, Bonfiglioli offers builders of pneumatic tired rollers the best possible choice of drive systems. High performance, including high torque in a compact space with limited axial dimensions, is one of our portfolio's key benefits.



600Y Series | 
Wheel drives

BENEFITS

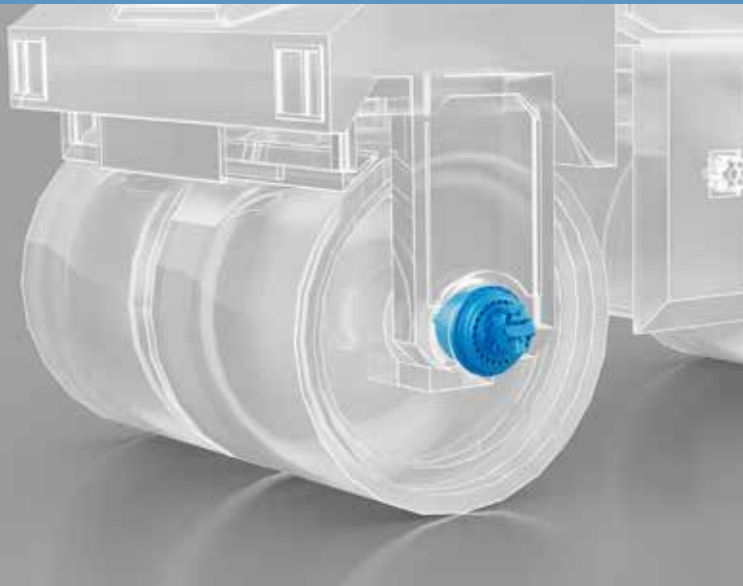
- Customized & compact design
- Resistant
- High performance

FEATURES

- Brake designed for
 - Parking
 - Emergency stops
 - Dynamic braking at low speed (inching)
- Cartridge axial piston hydraulic motors
- Flanged axial piston hydraulic motors

TECHNICAL DATA

	Torque (Nm)	
605 Y3		14.000
606 Y3		22.000



6

TANDEM VIBRATORY ROLLERS

Drum drives

Bonfiglioli supplies efficient solutions with integrated, high-performance hydraulic motors and low maintenance braking systems for tandem vibratory roller machines.



700C Series | |

Drum Drives

BENEFITS

- Compact design
- Designed for high-volume series applications

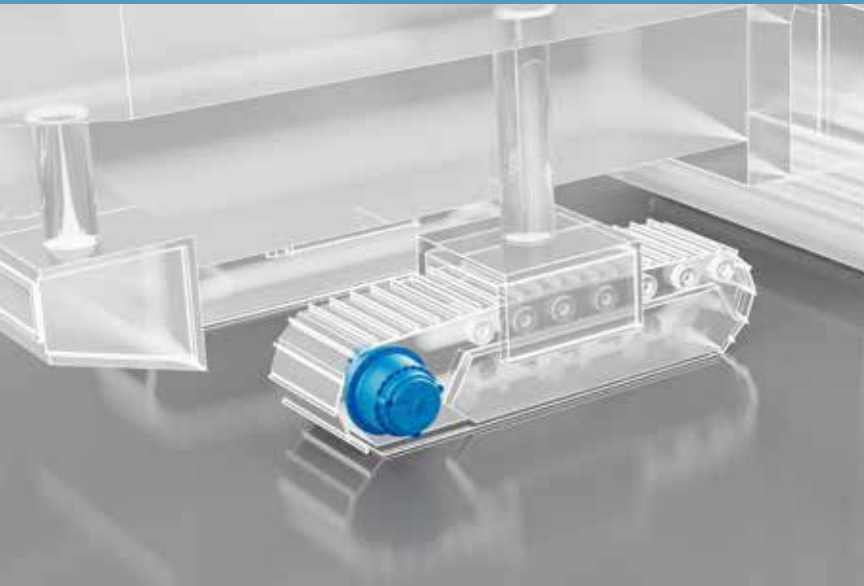
FEATURES

- Fitting for hydraulic and electric motors
- Integrated hydraulic brake available on request

TECHNICAL DATA

Torque (Nm)			
700 C	1.000	707 C	26.000
701 C	2.200	709 C	30.000
703 C	4.000	710 C	36.000
705 C	10.000	711 C	45.000
706 C	18.000	713 C	60.000





7

COLD MILLING MACHINES

Wheel/Track drives

High performance, including high torque in a compact space with limited axial dimensions, is one of the key benefits of our wheeled drive portfolio.

Cutter drives

Bonfiglioli cutter drives are also designed to withstand harsh environments and can endure critical temperatures without any risk of breakage that typically occurs with cold milling machines.



700C Series |  | 
Track Drives



F Series |  | 
Track Drives

BENEFITS

- Compact design
- Designed for high-volume series applications

- Rugged design
- High torque & load capacity
- Integrated hydraulic motor on request

FEATURES

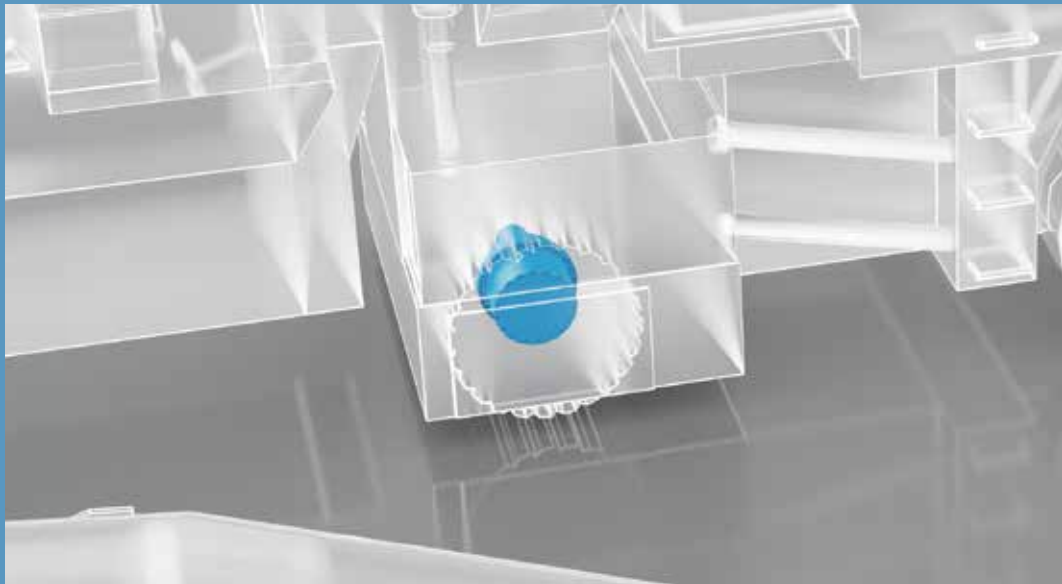
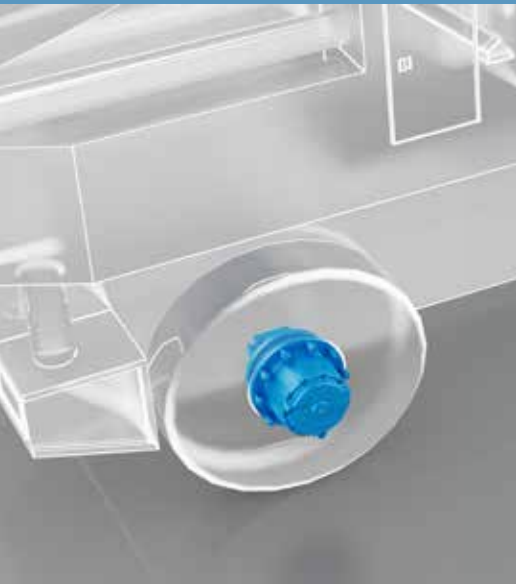
- Fitting for hydraulic and electric motors
- Integrated hydraulic brake available on request

- Rotating housing
- Lifelong mechanical seals on request
- 3-7 Planetary wheels per stage
- Notchless ground tooth root
- Multiple ratios
- Integrated disc-brake

TECHNICAL DATA

Torque (Nm)	
705 C	10.000
706 C	18.000
707 C	26.000
709 C	30.000
710 C	36.000
711 C	45.000
713 C	60.000

Torque (Nm)	
F13A	13.000
FD20	20.000
F30	30.000
F40	40.000
F55	55.000
F80	80.000
F100	100.000



600 Series | 
Wheel drives



700C Series |  | 
Cutter Drives



FA Series | 
Cutter Drives

BENEFITS

- High torque capacity
- Rugged design

- Optimized housing design
- Compact structure
- High performance

- Modular design for easy maintenance
- Compact structure
- High performance

FEATURES

- Rotating housing flange with studs to fit wheels and drums
- Optional mechanical gear disengagement on request

- Dual stage planetary reduction
- Integrated pulley support shaft with reinforced bearings
- Offset input available for increased cutting depth

- Optional two-speed shifting transmission
- Integrated disk-brake
- Notchless ground tooth root

TECHNICAL DATA

	Torque (Nm)
603 W	4.000
605 W	7.000
606 W	12.000
607 W	17.000
609 W	23.000
610 W	30.000
611 W	45.000
613 W	60.000

	Torque (Nm)
710 C2 H	20.000
713 C2 H	25.000
716 C2 H	45.000

	Torque (Nm)
FA 30	8.500
FA 40	12.000
FA 55	16.000
FA 80	23.000
FA 100	32.000
FA 130	38.000
FA 180	47.000
FA 200	52.000
FA 360	84.000
FA 800	115.000



OUR GLOBAL PRESENCE

Thanks to an international network of closely interconnected commercial and production sites, we can guarantee the same high standards of Bonfiglioli quality anywhere at any given time. We know that our direct presence in local markets is the key to long-lasting success, so our family includes 18 production sites, 23 commercial sites and more than 550 distributors around the world.

Our organization is always close by, offering complete and efficient solutions and supporting our customers with dedicated services, co-engineering and after-sales assistance.



18

PRODUCTION SITES



23

COMMERCIAL SITES



80

COUNTRIES



550

DISTRIBUTORS



~4,700

PEOPLE

AUSTRALIA

Bonfiglioli Transmission (Aust.) Pty Ltd

2, Cox Place Glendenning NSW 2761
Locked Bag 1000 Plumpton NSW 2761
Tel. +61 2 8811 8000



BRAZIL

Bonfiglioli Redutores do Brasil Ltda

Av. Osvaldo Fregonezi, 171, cjs 31 e 44
CEP 09851-015 - São Bernardo do Campo
São Paulo
Tel. +55 11 4344 2322



CHINA

Bonfiglioli Drives (Shanghai) Co. Ltd.

#68, Hui-Lian Road, QingPu District,
201707 Shanghai
Tel. +86 21 6700 2000



Industry & Automation Solutions

#568, Longpan Road, Jiading District,
201707 Shanghai



Bonfiglioli Trading (Shanghai) Co. Ltd.

Room 423, 4th Floor, #38, Yinglun Road,
China (Shanghai) Pilot Free Trade Zone,
Shanghai



Selcom Electronics (Shanghai) Co., Ltd

A7, No.5399, Waiqingsong Road, QingPu
District,
201707 Shanghai
Tel. +86 21 6010 8100



A24, No.5399, Waiqingsong Road, QingPu

District,
201707 Shanghai
Tel. +86 21 6010 8100



FRANCE

Bonfiglioli Transmission S.A.S.

14 Rue Eugène Pottier
Zone Industrielle de Moimont II
95670 Marly la Ville
Tel. +33 1 34474510



GERMANY

Bonfiglioli Deutschland GmbH

Sperberweg 12 - 41468 Neuss
Tel. +49 0 2131 2988 0



Bonfiglioli Vectron GmbH

Europark Fichtenhain B6 - 47807 Krefeld
Tel. +49 0 2151 8396 0



O&K Antriebstechnik GmbH

Ruhrallee 8-12 - 45525 Hattingen
Tel. +49 0 2324 2050 1



INDIA

Bonfiglioli Transmission Pvt. Ltd.

Mobility & Wind Industries

AC 7 - 11, SIDCO Industrial Estate,
Thirumudivakkam
Kancheepuram - 600132 - Tamil Nadu
Tel. +91 844 844 8649



Industry & Automation Solutions

Survey No. 528/1, Perambakkam High Road
Mannur Village, Sriperumbudur Taluk
Kancheepuram - 602 105 - Tamil Nadu
Tel. +91 844 844 8649



Industry & Automation Solutions

Plot No E-5/2, Badhalwadi
Talegaon MIDC Phase II,
Pune - 410 507 - Maharashtra
Tel. +91 844 844 8649



Bonfiglioli Drive Systems Pvt. Ltd.

Industry & Automation Solutions

No 50, Pappambakkam Road,
Mannur Village, Sriperumbudur Taluk,
Kancheepuram - 602105 - Tamil Nadu
Tel. +91 844 844 8649



ITALY

Bonfiglioli Riduttori S.p.A.

Industry & Automation Solutions

Via Cav. Clementino Bonfiglioli, 1
40012 Calderara di Reno
Tel. +39 051 6473111



Industry & Automation Solutions

Via Sandro Pertini, lotto 7b
20080 Carpiano
Tel. +39 02985081



Industry & Automation Solutions

Via Saliceto, 15 - 40010 Bentivoglio



Mobility & Wind Industries

Via Enrico Mattei, 12 Z.I. Villa Selva
47122 Forlì
Tel. +39 0543 789111



Industry & Automation Solutions

Via Unione, 49 - 38068 Rovereto
Tel. +39 0464 443435/36



Selcom Group S.p.A.

Via Achille Grandi, 5
40013 Castel Maggiore (BO)
Tel. +39 051 6387111



Via Marino Serenari, 18
40013 Castel Maggiore (BO)
Tel. +39 051 6387111



Via Cadriano, 19
40057 Cadriano (BO)
Tel. +39 051 6387111



NEW ZEALAND

Bonfiglioli Transmission (Aust.) Pty Ltd

88 Hastie Avenue, Mangere Bridge,
2022 Auckland
PO Box 11795, Ellerslie
Tel. +64 09 634 6441



SINGAPORE

Bonfiglioli South East Asia Pte Ltd

8 Boon Lay Way, #04-09,
8@Tadehub 21, Singapore 609964
Tel. +65 6268 9869



SLOVAKIA

Bonfiglioli Slovakia s.r.o.

Robotnícka 2129
Považská Bystrica, 01701 Slovakia
Tel. +421 42 430 75 64



SOUTH AFRICA

Bonfiglioli South Africa Pty Ltd.

55 Galaxy Avenue, Linbro Business Park,
Sandton, Johannesburg
2090 South Africa
Tel. +27 11 608 2030



SPAIN

Tecnotrans Bonfiglioli S.A

Avinguda del Ferrocarril, n° 14,
Polígono Industrial Can Estapé
08755 Castellbisbal - Barcelona
Tel. +34 93 447 84 00



TURKEY

Bonfiglioli Turkey Jsc

Atatürk Organize Sanayi Bölgesi,
10007 Sk. No. 30
Atatürk Organize Sanayi Bölgesi,
35620 Çiğli - Izmir
Tel. +90 0 232 328 22 77



UNITED KINGDOM

Bonfiglioli UK Ltd.

Unit 1 Calver Quay, Calver Road, Winwick
Warrington, Cheshire - WA2 8UD
Tel. +44 1925 852667



USA

Bonfiglioli USA Inc.

3541 Hargrave Drive
Hebron, Kentucky 41048
Tel. +1 859 334 3333



VIETNAM

Bonfiglioli Vietnam Ltd.

Lot C-9D-CN My Phuoc Industrial Park 3
Ben Cat - Binh Duong Province
Tel. +84 650 3577411





We have a relentless commitment to excellence, innovation & sustainability. Our team creates, distributes and services world-class power transmission & drive solutions to keep the world in motion.

HEADQUARTERS

Bonfiglioli S.p.A

Via Cav. Clementino Bonfiglioli, 1
40012 Calderara di Reno - Bologna (Italy)
Tel. +39 051 6473111

